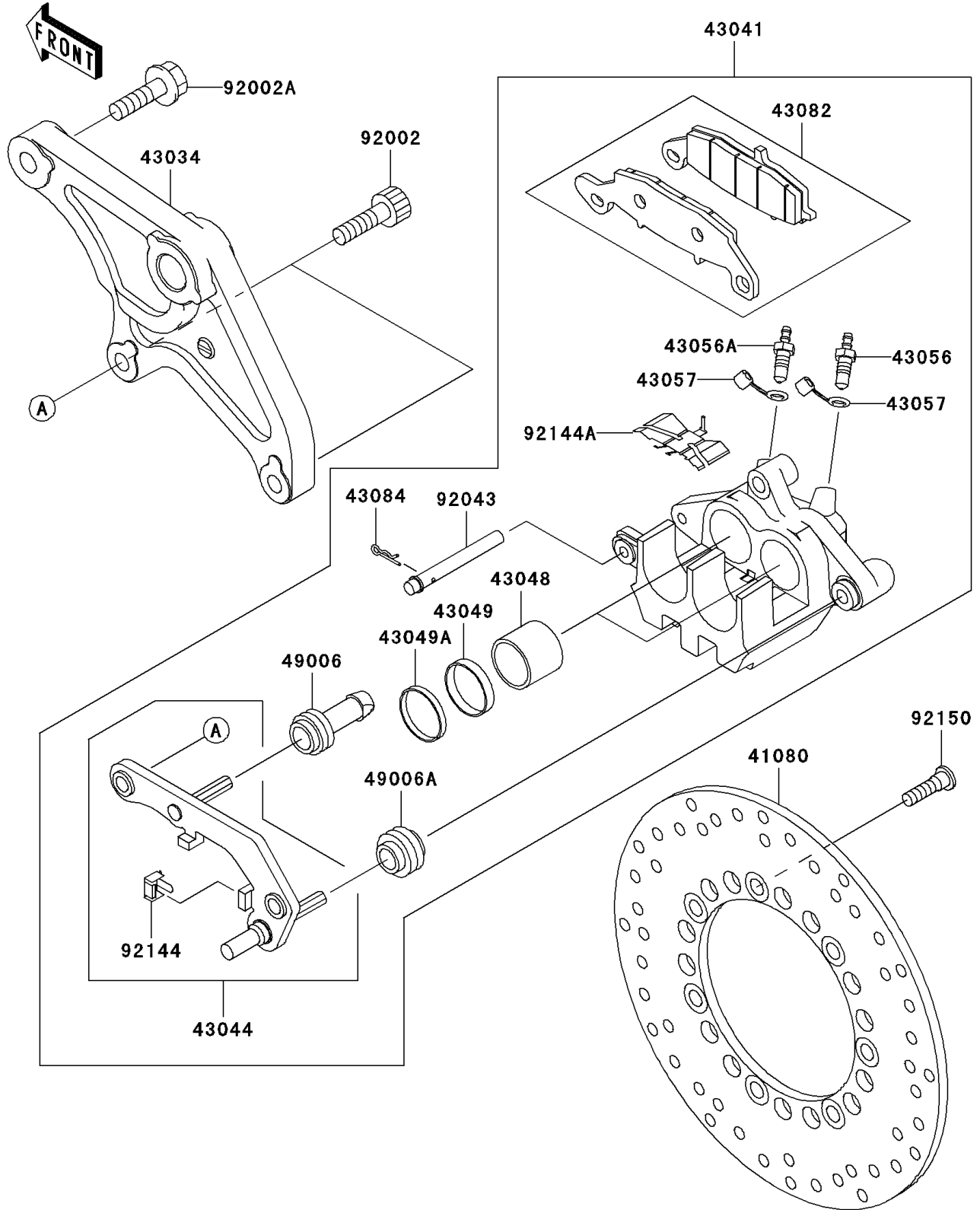


# 1999 Vulcan 1500 Drifter PARTS DIAGRAM

Rear Brake

F2294



# 1999 Vulcan 1500 Drifter PARTS LIST

Rear Brake

ITEM NAME	PART NUMBER	QUANTITY
-----------	-------------	----------