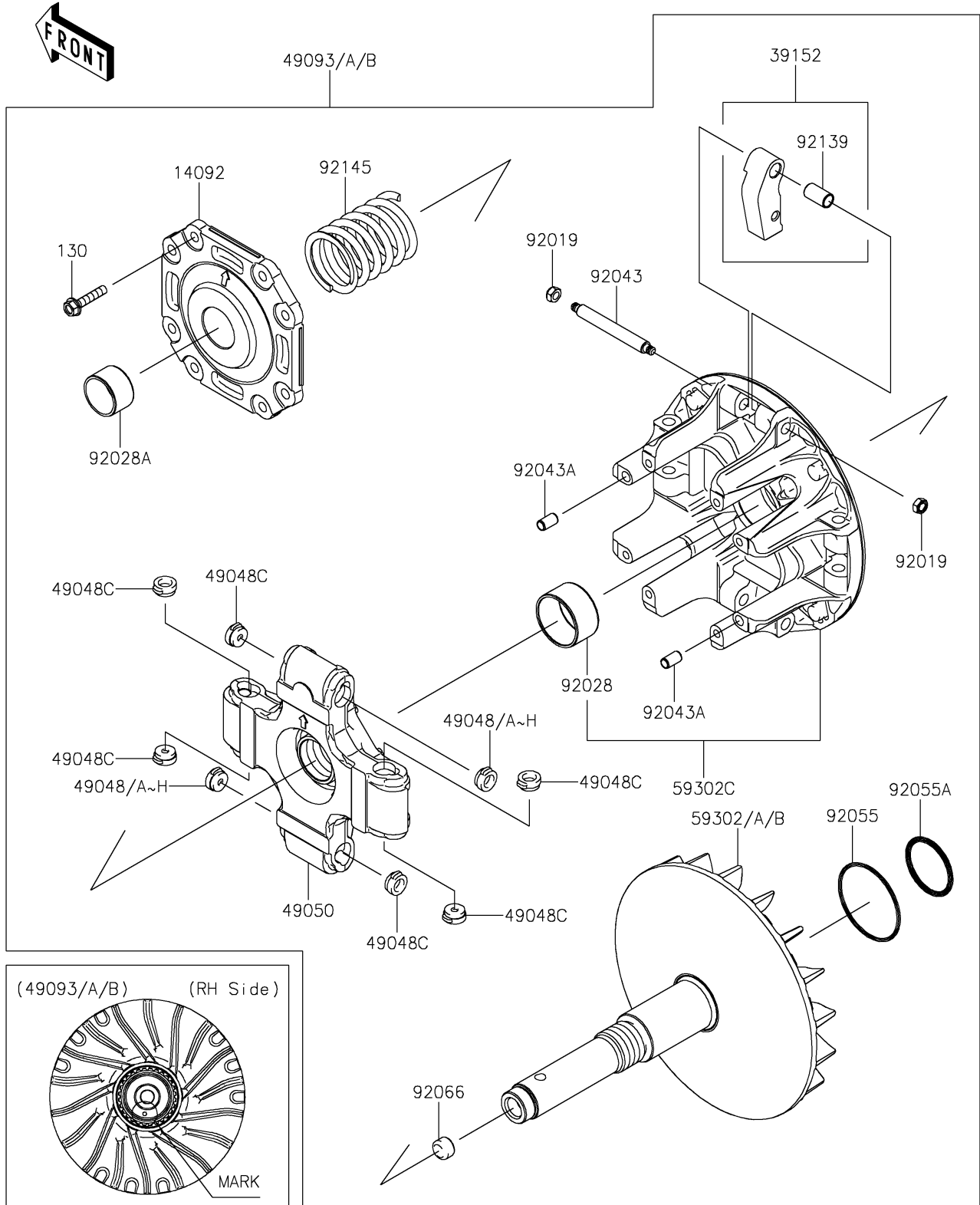


# 2022 MULE PRO-FXR™ PARTS DIAGRAM

Drive Converter

E1391



## 2022 MULE PRO-FXR™ PARTS LIST

### Drive Converter

| ITEM NAME                                    | PART NUMBER | QUANTITY |
|--|-------------|----------|
| COVER (Ref # 14092)                          | 14092-1201  | 1        |
| WEIGHT-RAMP (Ref # 39152)                    | 39152-0039  | 4        |
| SHOE,T=7.2 (Ref # 49048)                     | 49048-1087  | AR       |
| SHOE,T=7.3 (Ref # 49048A)                    | 49048-1088  | AR       |
| SHOE,T=7.4 (Ref # 49048B)                    | 49048-1089  | AR       |
| SHOE,T=7.5 (Ref # 49048C)                    | 49048-1090  | 8        |
| SHOE,T=7.6 (Ref # 49048D)                    | 49048-1091  | AR       |
| SHOE,T=7.7 (Ref # 49048E)                    | 49048-1092  | AR       |
| SHOE,T=7.8 (Ref # 49048F)                    | 49048-1093  | AR       |
| SHOE,T=7.9 (Ref # 49048G)                    | 49048-1094  | AR       |
| SHOE,T=8.0 (Ref # 49048H)                    | 49048-1095  | AR       |
| SPIDER (Ref # 49050)                         | 49050-1083  | 1        |
| CONVERTER-DRIVE,B MARK,WHITE (Ref # 49093)   | 49093-0079  | 1        |
| CONVERTER-DRIVE,A MARK,BLUE (Ref # 49093A)   | 49093-0080  | 1        |
| CONVERTER-DRIVE,C MARK,YELLOW (Ref # 49093B) | 49093-0081  | 1        |
| SHEAVE-COMP,B MARK,WHITE (Ref # 59302)       | 59302-0092  | 1        |
| SHEAVE-COMP,A MARK,BLUE (Ref # 59302A)       | 59302-0093  | 1        |
| SHEAVE-COMP,C MARK,YELLOW (Ref # 59302B)     | 59302-0094  | 1        |
| SHEAVE-COMP,MOVABLE (Ref # 59302C)           | 59302-1102  | 1        |
| NUT,LOCK,6MM (Ref # 92019)                   | 92019-008   | 8        |
| BUSHING (Ref # 92028)                        | 92028-1975  | 1        |
| BUSHING (Ref # 92028A)                       | 92028-1980  | 1        |
| PIN (Ref # 92043)                            | 92043-0809  | 4        |
| PIN,6.2X8X14 (Ref # 92043A)                  | 92043-1263  | 2        |
| RING-O,59.5X2.4 (Ref # 92055)                | 92055-0753  | 1        |
| RING-O,3.5X39.7 (Ref # 92055A)               | 92055-0789  | 1        |
| PLUG (Ref # 92066)                           | 92066-0784  | 1        |
| BUSHING,9X11X19.75 (Ref # 92139)             | 92139-1103  | 4        |
| SPRING (Ref # 92145)                         | 92145-1977  | 1        |

## 2022 MULE PRO-FXR™ PARTS LIST

Drive Converter

| ITEM NAME                     | PART NUMBER | QUANTITY |
|-------------------------------|-------------|----------|
| BOLT-FLANGED,6X30 (Ref # 130) | 130CA0630   | 8        |