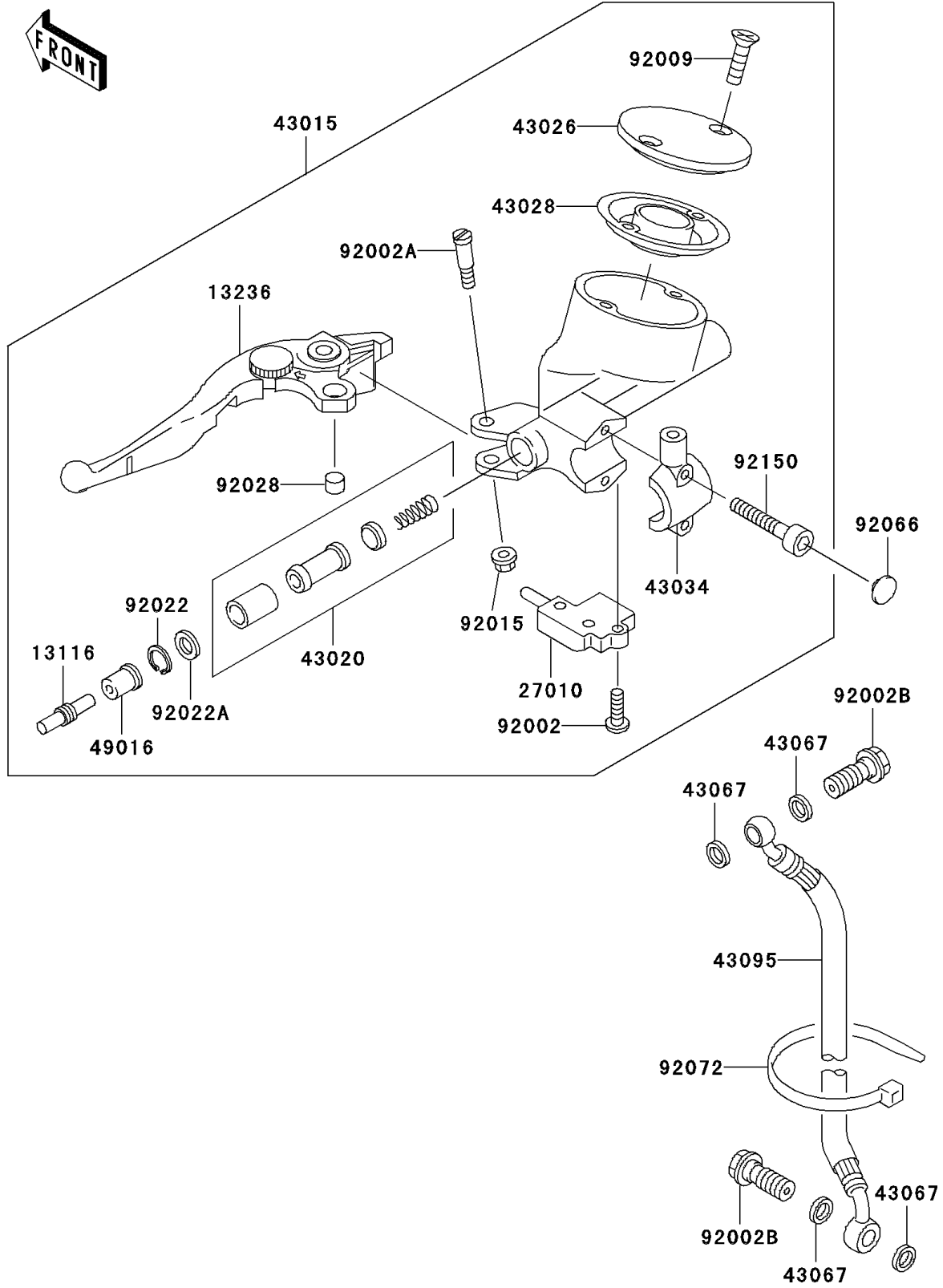


1999 Vulcan 1500 Drifter PARTS DIAGRAM

Clutch Master Cylinder

F2380



1999 Vulcan 1500 Drifter PARTS LIST

Clutch Master Cylinder

ITEM NAME	PART NUMBER	QUANTITY
-----------	-------------	----------