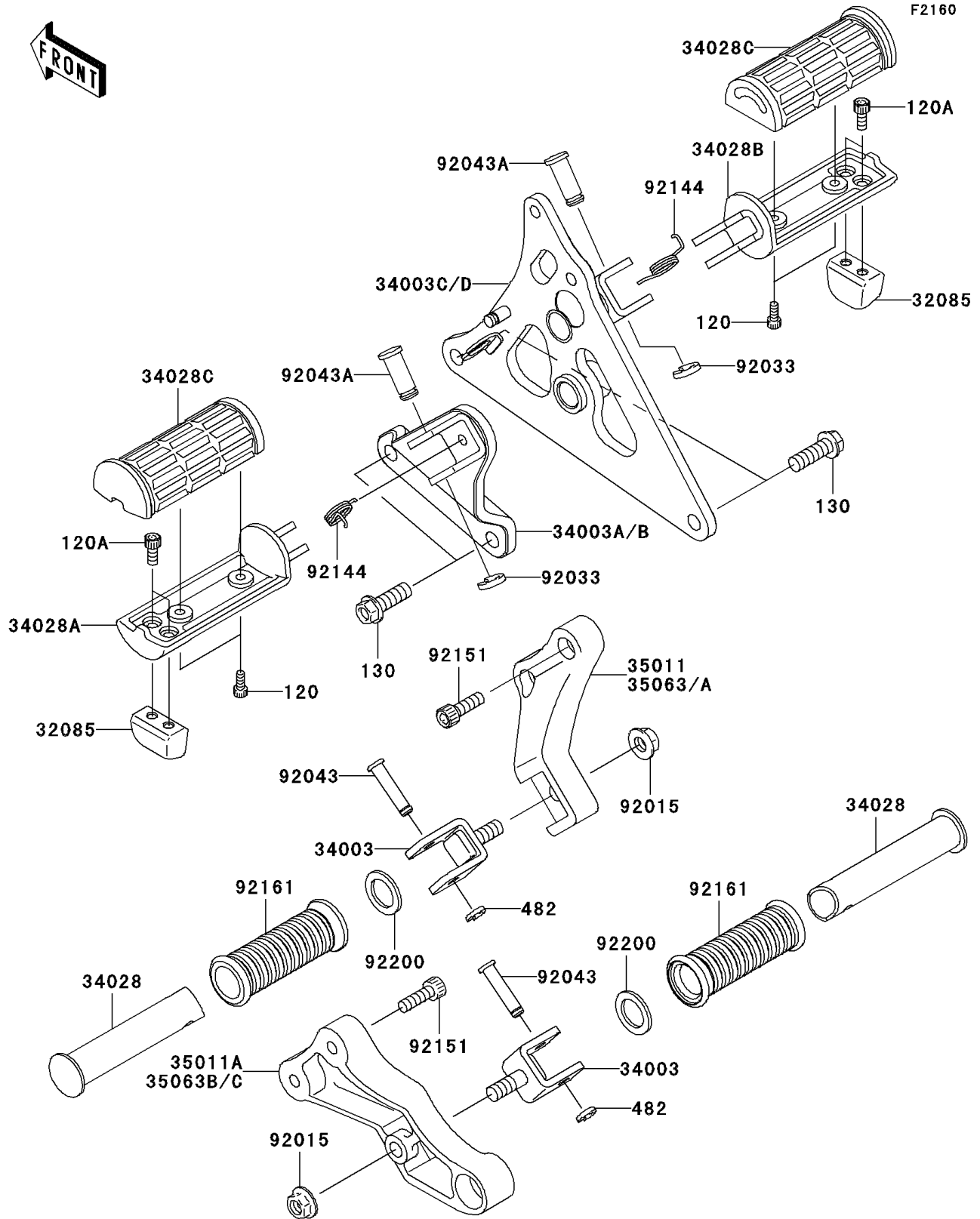


# 2007 Vulcan 1600 Mean Streak PARTS DIAGRAM

Footrests



## 2007 Vulcan 1600 Mean Streak PARTS LIST

### Footrests

ITEM NAME	PART NUMBER	QUANTITY
BOLT-SOCKET,5X12 (Ref # 120)	120S0512	4
BOLT-SOCKET,6X14 (Ref # 120A)	120S0614	4
BOLT-FLANGED,10X30 (Ref # 130)	130J1030	4
CIRCLIP-TYPE-E (Ref # 482)	482L7000	2
STOPPER,BANK SENSOR (Ref # 32085)	32085-1534	2
HOLDER-STEP,RR (Ref # 34003)	34003-0015	2
HOLDER-STEP,FR,LH (Ref # 34003A)	34003-0036	1
HOLDER-STEP,FR,RH (Ref # 34003D)	34003-1507	1
STEP,RR (Ref # 34028)	34028-0017	2
STEP,FR,LH (Ref # 34028A)	34028-1519	1
STEP,FR,RH (Ref # 34028B)	34028-1520	1
STEP,RUBBER (Ref # 34028C)	34028-1522	2
STAY,REAR STEP,LH,P.RED (Ref # 35063A)	35063-0245-796	1
STAY,REAR STEP,RH,P.RED (Ref # 35063C)	35063-0246-796	1
NUT,FLANGED,10MM (Ref # 92015)	92015-1428	2
RING-SNAP,10MM (Ref # 92033)	92033-1166	2
PIN,8X36.5 (Ref # 92043)	92043-1339	2
PIN,12X37 (Ref # 92043A)	92043-1358	2
SPRING,STEP RETURN (Ref # 92144)	92144-1126	2
BOLT,SOCKET,8X25 (Ref # 92151)	92151-1525	4
DAMPER,STEP (Ref # 92161)	92161-0232	2
WASHER,22.5X33X2.3 (Ref # 92200)	92200-1482	2