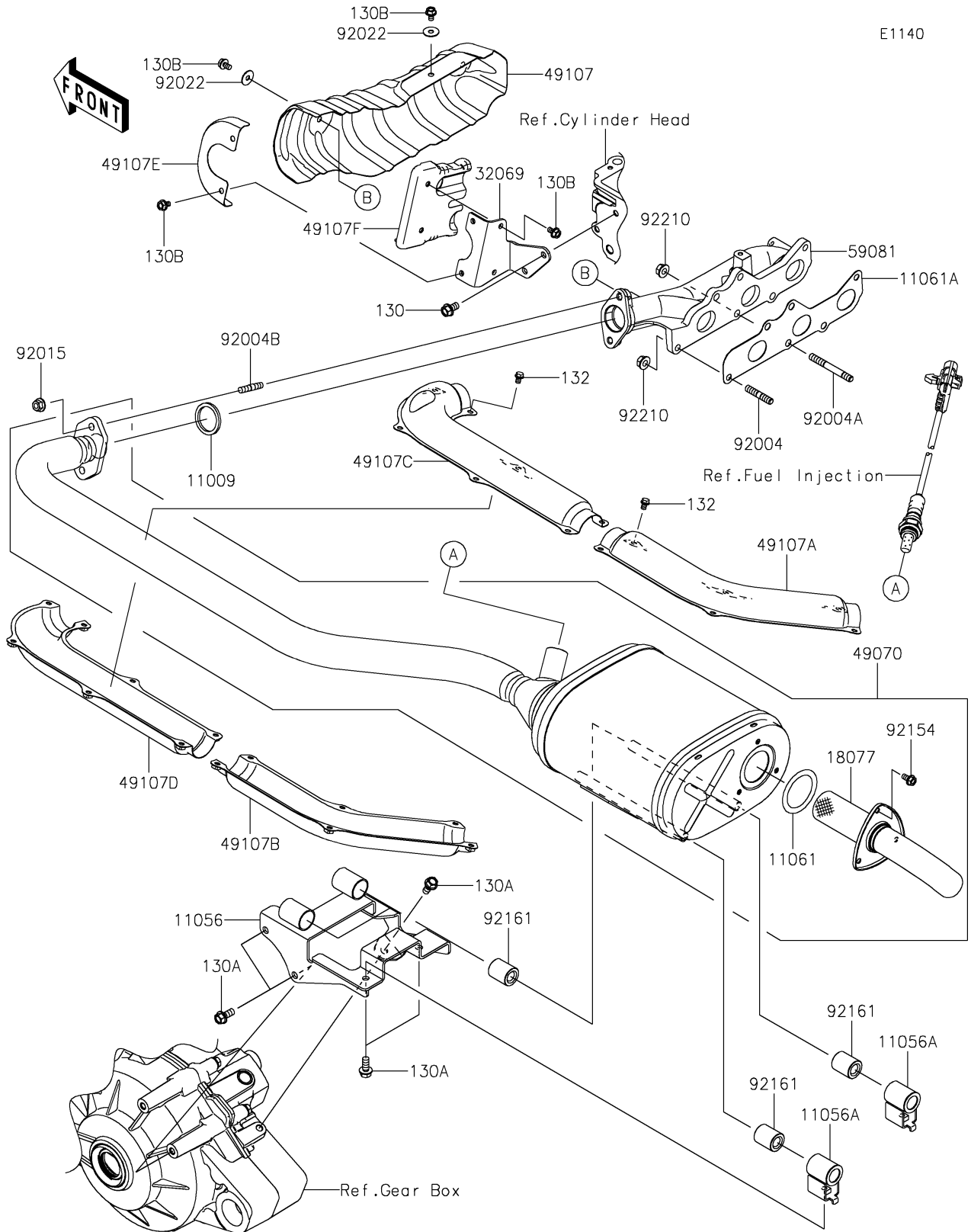


2023 MULE PRO-FXT™ PARTS DIAGRAM

Muffler(s)



E1140

2023 MULE PRO-FXT™ PARTS LIST

Muffler(s)

| ITEM NAME | PART NUMBER | QUANTITY |
|--|-------------|----------|
| GASKET,EXHAUST HOLDER (Ref # 11009) | 11009-1894 | 1 |
| BRACKET,MUFFLER MOUNT (Ref # 11056) | 11056-4394 | 1 |
| BRACKET (Ref # 11056A) | 11056-4440 | 2 |
| GASKET,EXHAUST PIPE (Ref # 11061) | 11061-0013 | 1 |
| GASKET (Ref # 11061A) | 11061-1186 | 1 |
| ARRESTER-SPARK (Ref # 18077) | 18077-0044 | 1 |
| BRACKET-MUFFLER (Ref # 32069) | 32069-0894 | 1 |
| MUFFLER-COMP (Ref # 49070) | 49070-0852 | 1 |
| COVER-EXHAUST PIPE (Ref # 49107) | 49107-0767 | 1 |
| COVER-EXHAUST PIPE,RR,UPP (Ref # 49107A) | 49107-0771 | 1 |
| COVER-EXHAUST PIPE,RR,LWR (Ref # 49107B) | 49107-0772 | 1 |
| COVER-EXHAUST PIPE,FR,UPP (Ref # 49107C) | 49107-0773 | 1 |
| COVER-EXHAUST PIPE,FR,LWR (Ref # 49107D) | 49107-0774 | 1 |
| COVER-EXHAUST PIPE (Ref # 49107E) | 49107-0838 | 1 |
| COVER-EXHAUST PIPE (Ref # 49107F) | 49107-0839 | 1 |
| MANIFOLD-EXHAUST (Ref # 59081) | 59081-0235 | 1 |
| STUD (Ref # 92004) | 92004-0735 | 5 |
| STUD (Ref # 92004A) | 92004-0736 | 1 |
| STUD,8X25 (Ref # 92004B) | 92004-1214 | 2 |
| NUT,8MM (Ref # 92015) | 92015-1402 | 2 |
| WASHER,PLAIN,6.5X20X1 (Ref # 92022) | 92022-165 | 3 |
| BOLT,FLANGED,6X12 (Ref # 92154) | 92154-0852 | 3 |
| DAMPER (Ref # 92161) | 92161-0961 | 4 |
| NUT (Ref # 92210) | 92210-0944 | 6 |
| BOLT-FLANGED,8X14 (Ref # 130) | 130BA0814 | 2 |
| BOLT-FLANGED,8X18 (Ref # 130A) | 130BA0818 | 5 |
| BOLT-FLANGED,6X10 (Ref # 130B) | 130BD0610 | 7 |
| BOLT-FLANGED-SMALL,6X8 (Ref # 132) | 132BD0608 | 13 |