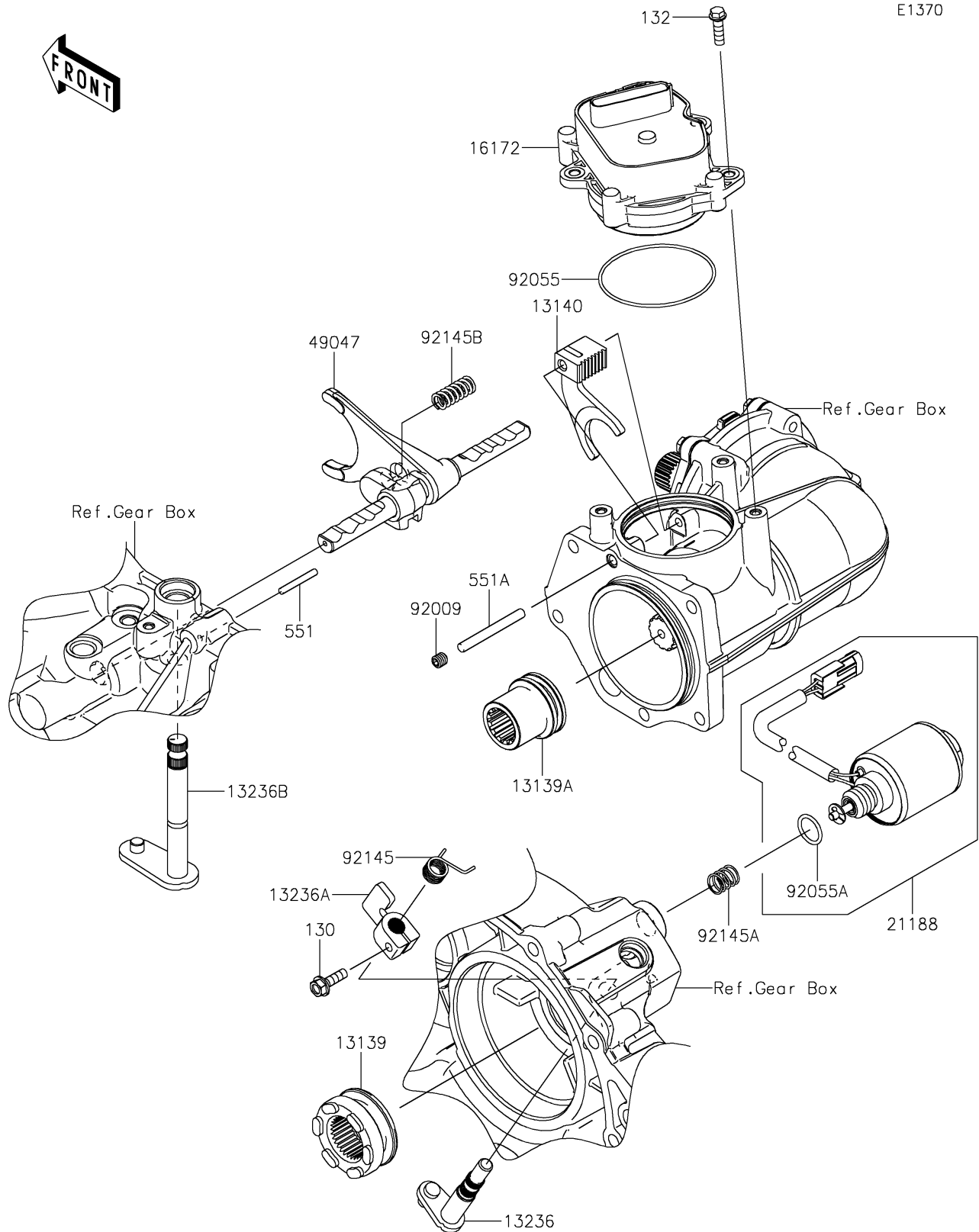


2022 MULE PRO-FXT™ PARTS DIAGRAM

Gear Change Mechanism



2022 MULE PRO-FXT™ PARTS LIST

Gear Change Mechanism

| ITEM NAME | PART NUMBER | QUANTITY |
|--|-------------|----------|
| SHIFTER (Ref # 13139) | 13139-0019 | 1 |
| SHIFTER (Ref # 13139A) | 13139-0021 | 1 |
| FORK-SHIFT (Ref # 13140) | 13140-0667 | 1 |
| LEVER-COMP,DIFF LOCK (Ref # 13236) | 13236-0744 | 1 |
| LEVER-COMP,DIFF LOCK (Ref # 13236A) | 13236-0745 | 1 |
| LEVER-COMP,CHANGE SHIFT (Ref # 13236B) | 13236-0746 | 1 |
| ACTUATOR (Ref # 16172) | 16172-0030 | 1 |
| SOLENOID (Ref # 21188) | 21188-0010 | 1 |
| ROD-SHIFT (Ref # 49047) | 49047-0044 | 1 |
| SCREW,SOCKET,8X8 (Ref # 92009) | 92009-1977 | 1 |
| RING-O,1.9X71.8 (Ref # 92055) | 92055-0781 | 1 |
| RING-O (Ref # 92055A) | 92055-0829 | 1 |
| SPRING (Ref # 92145) | 92145-1572 | 1 |
| SPRING (Ref # 92145A) | 92145-1573 | 1 |
| SPRING (Ref # 92145B) | 92145-1574 | 1 |
| BOLT-FLANGED,6X20 (Ref # 130) | 130BA0620 | 1 |
| BOLT-FLANGED-SMALL,6X20 (Ref # 132) | 132BA0620 | 3 |
| PIN-DOWEL (Ref # 551) | 551A0432 | 1 |
| PIN-DOWEL,6X56 (Ref # 551A) | 551A0656 | 1 |