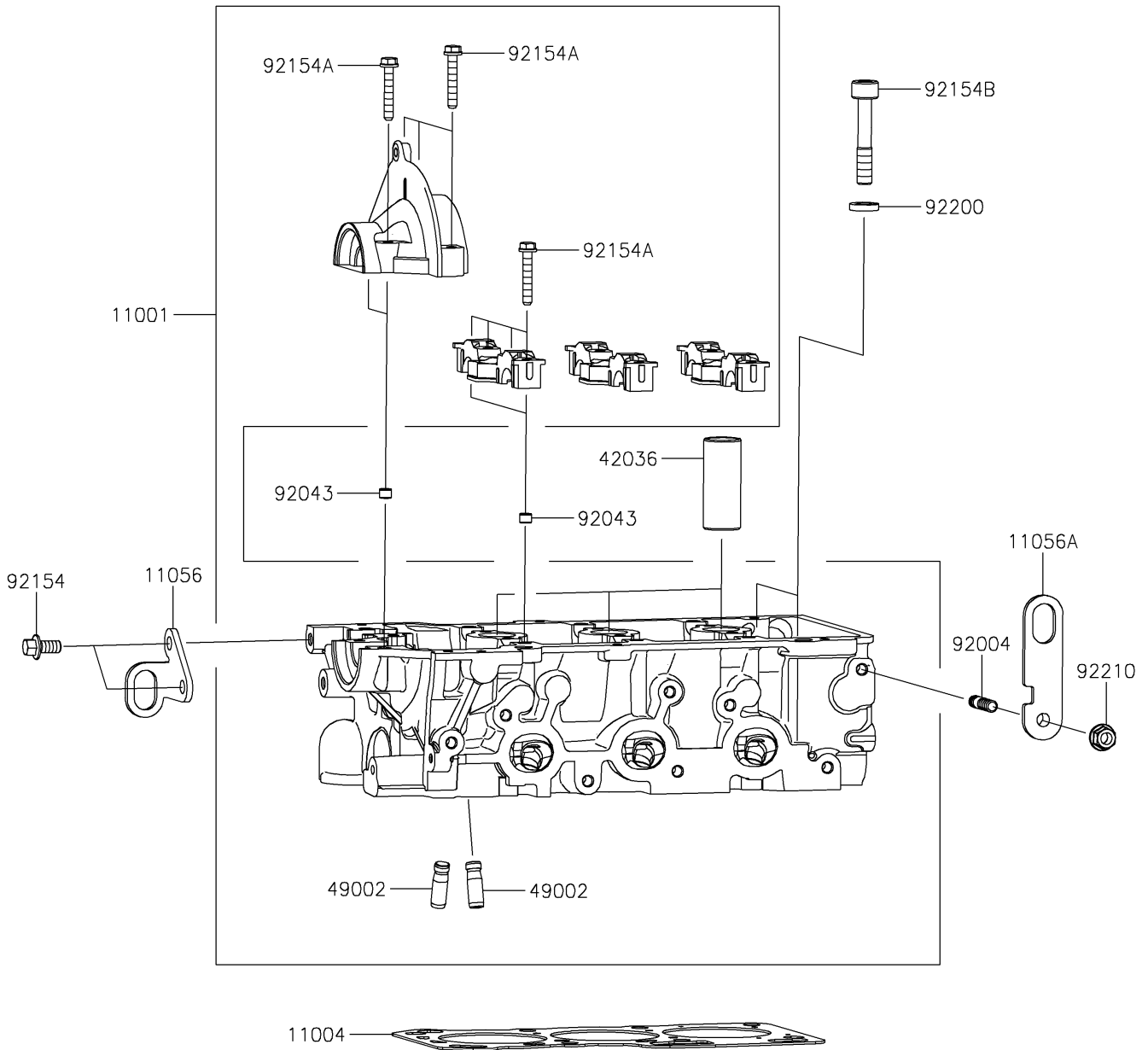


# 2022 MULE PRO-FXT™ EPS PARTS DIAGRAM

Cylinder Head

E1111



## 2022 MULE PRO-FXT™ EPS PARTS LIST

### Cylinder Head

| ITEM NAME                       | PART NUMBER | QUANTITY |
|---------------------------------|-------------|----------|
| HEAD-CYLINDER (Ref # 11001)     | 11001-0839  | 1        |
| GASKET-HEAD (Ref # 11004)       | 11004-0747  | 1        |
| BRACKET (Ref # 11056)           | 11056-7081  | 1        |
| BRACKET (Ref # 11056A)          | 11056-7082  | 1        |
| SLEEVE,SPARK PLUG (Ref # 42036) | 42036-0764  | 3        |
| GUIDE-VALVE (Ref # 49002)       | 49002-0030  | 12       |
| STUD (Ref # 92004)              | 92004-0734  | 1        |
| PIN (Ref # 92043)               | 92043-0831  | 8        |
| BOLT,FLANGED,8X16 (Ref # 92154) | 92154-1588  | 2        |
| BOLT,6X38 (Ref # 92154A)        | 92154-1589  | 17       |
| BOLT,SOCKET (Ref # 92154B)      | 92154-1590  | 8        |
| WASHER (Ref # 92200)            | 92200-1683  | 8        |
| NUT (Ref # 92210)               | 92210-0944  | 1        |