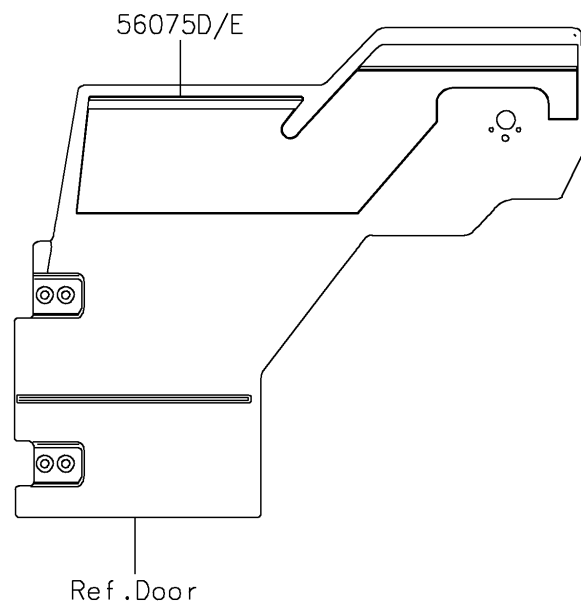
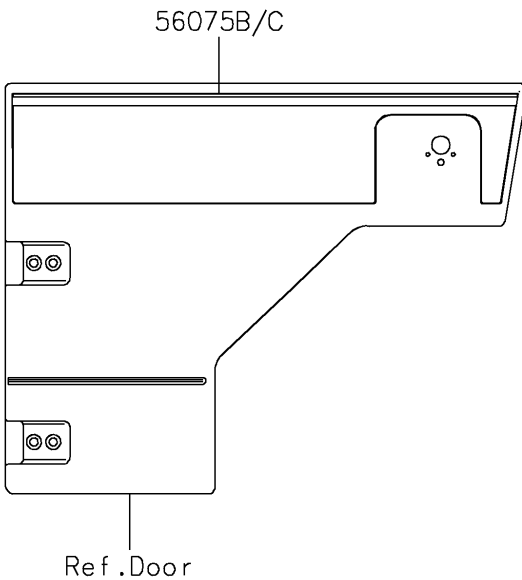
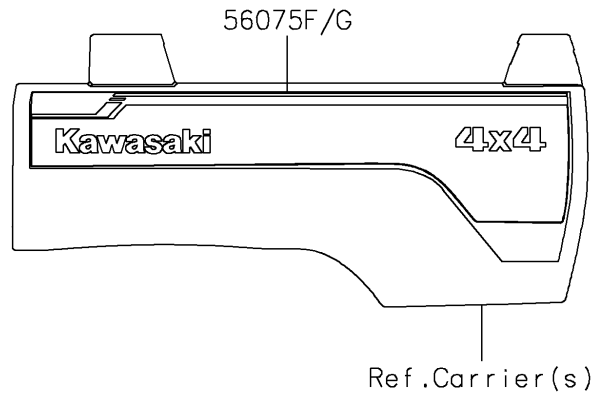
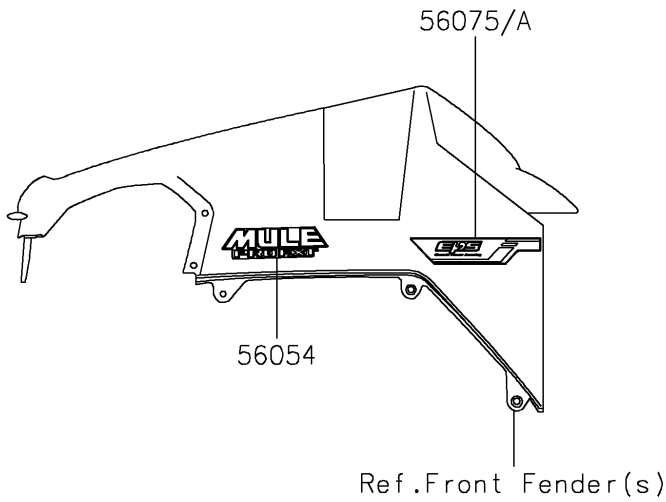


# 2022 MULE PRO-FXT™ EPS PARTS DIAGRAM

Decals(Green)

F2861A



## 2022 MULE PRO-FXT™ EPS PARTS LIST

Decals(Green)

ITEM NAME	PART NUMBER	QUANTITY
MARK,FR FENDER,MULE PRO-FXT (Ref # 56054)	56054-1830	2
PATTERN,FR FENDER,LH,EPS (Ref # 56075)	56075-0624	1
PATTERN,FR FENDER,RH,EPS (Ref # 56075A)	56075-0625	1
PATTERN,SIDE GUARD,LH,FR (Ref # 56075B)	56075-0626	1
PATTERN,SIDE GUARD,RH,FR (Ref # 56075C)	56075-0627	1
PATTERN,SIDE GUARD,LH,RR (Ref # 56075D)	56075-0628	1
PATTERN,SIDE GUARD,RH,RR (Ref # 56075E)	56075-0629	1
PATTERN,CARRIER PANEL,LH (Ref # 56075F)	56075-0630	1
PATTERN,CARRIER PANEL,RH (Ref # 56075G)	56075-0631	1