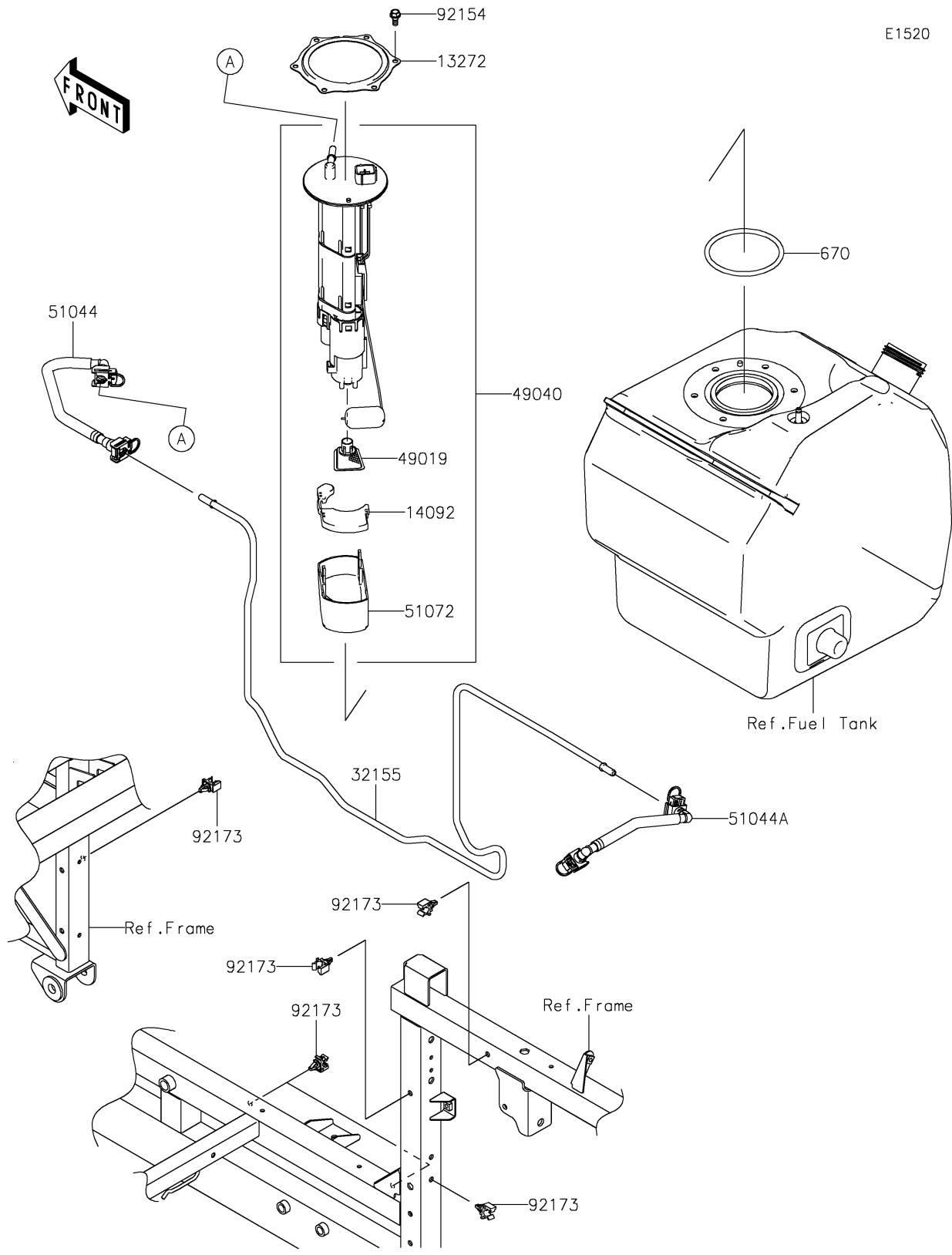


2022 MULE PRO-FXT™ RANCH EDITION PLATINUM PARTS DIAGRAM

Fuel Pump



2022 MULE PRO-FXT™ RANCH EDITION PLATINUM PARTS LIST

Fuel Pump

ITEM NAME	PART NUMBER	QUANTITY
-----------	-------------	----------