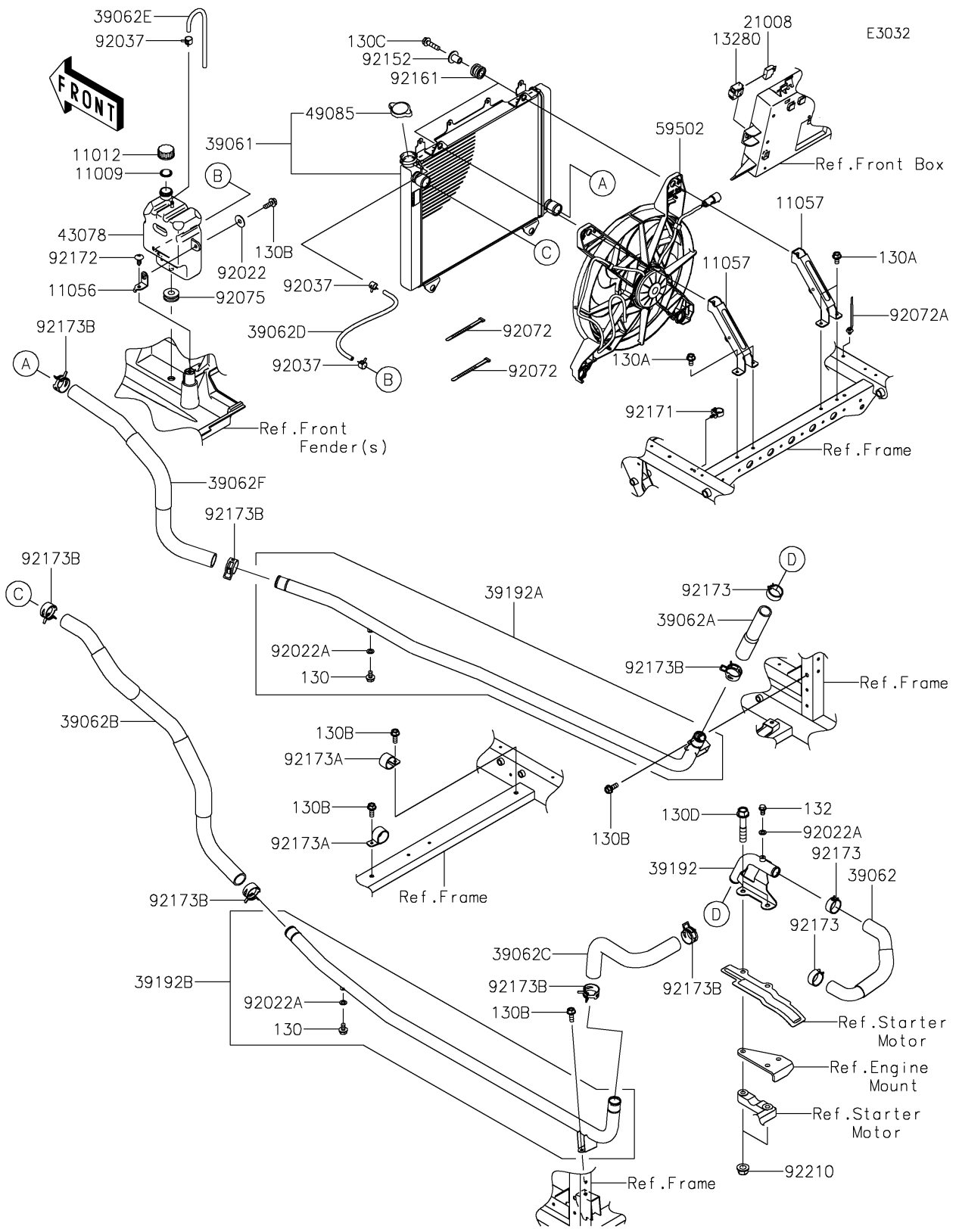


# 2022 MULE PRO-FXT™ RANCH EDITION PLATINUM PARTS DIAGRAM

## Radiator



# 2022 MULE PRO-FXT™ RANCH EDITION PLATINUM PARTS LIST

Radiator

| ITEM NAME | PART NUMBER | QUANTITY |
|-----------|-------------|----------|
|-----------|-------------|----------|