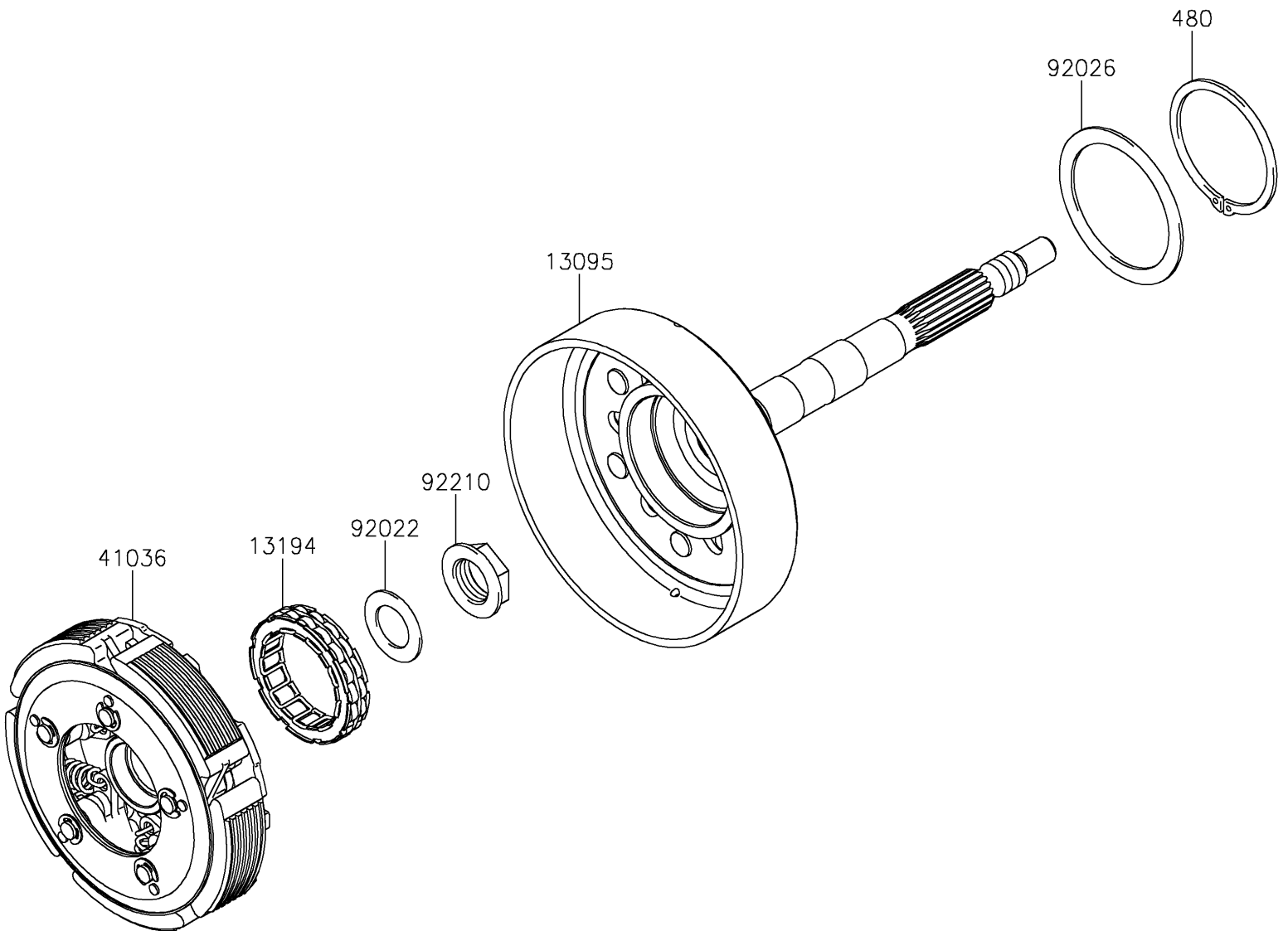


# 2022 TERYX4™ S LE PARTS DIAGRAM

Clutch

E1350



## 2022 TERYX4™ S LE PARTS LIST

### Clutch

ITEM NAME	PART NUMBER	QUANTITY
HOUSING-COMP-CLUTCH (Ref # 13095)	13095-0554	1
CLUTCH-ONEWAY (Ref # 13194)	13194-0555	1
HUB-ASSY (Ref # 41036)	41036-0639	1
WASHER,20.5X34X1.4 (Ref # 92022)	92022-168	1
SPACER (Ref # 92026)	92026-0710	1
NUT,20MM (Ref # 92210)	92210-0711	1
CIRCLIP-TYPE-C,60MM (Ref # 480)	480J6000	1