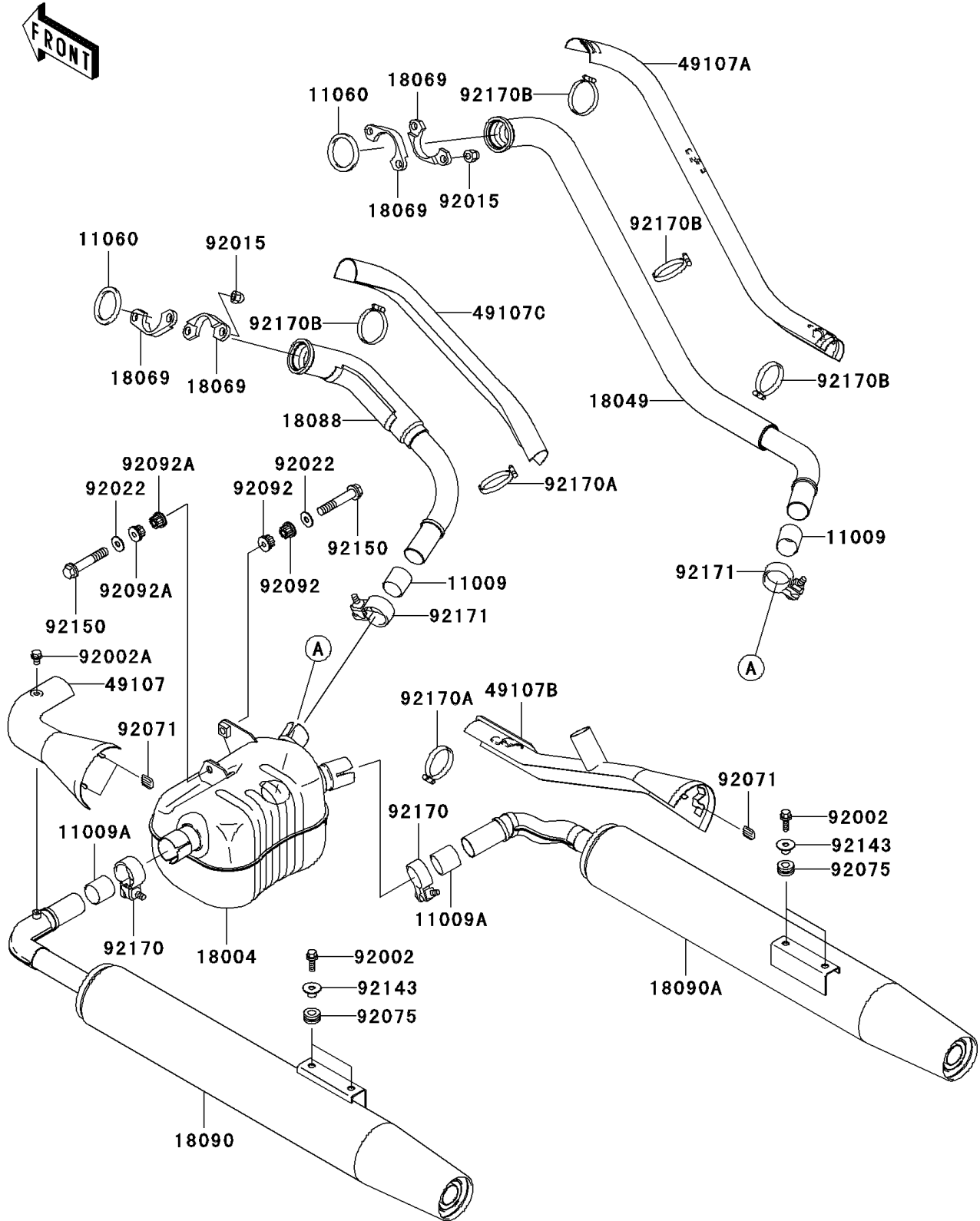


# 2002 Vulcan 1500 Nomad Fi PARTS DIAGRAM

Muffler(s)

E1140



## 2002 Vulcan 1500 Nomad Fi PARTS LIST

### Muffler(s)

ITEM NAME	PART NUMBER	QUANTITY
GASKET,EXHAUST PIPE CONNECTING (Ref # 11009)	11009-1667	2
GASKET,MUFFLER CONNECTING (Ref # 11009A)	11009-1865	2
GASKET,EXHAUST PIPE (Ref # 11060)	11060-1119	2
CHAMBER-PREMUFLER (Ref # 18004)	18004-1097	1
PIPE-EXHAUST,FR (Ref # 18049)	18049-1906	1
HOLDER-EXHAUST PIPE (Ref # 18069)	18069-1161	4
PIPE-EXHAUST,RR (Ref # 18088)	18088-1100	1
BODY-COMP-MUFFLER,LH (Ref # 18090)	18090-1754	1
BODY-COMP-MUFFLER,RH (Ref # 18090A)	18090-1755	1
COVER-MUFFLER,LH (Ref # 49107)	49107-1158	1
COVER-EXHAUST PIPE,FRONT (Ref # 49107A)	49107-1169	1
COVER-MUFFLER,RH (Ref # 49107B)	49107-1180	1
COVER-EXHAUST PIPE,REAR (Ref # 49107C)	49107-1181	1
BOLT,FLANGED,8X25 (Ref # 92002)	92002-1591	4
BOLT,6X8 (Ref # 92002A)	92002-1604	1
NUT,CAP,8MM (Ref # 92015)	92015-1371	4
WASHER,10.5X30X2.3,BLACK (Ref # 92022)	92022-1302	2
GROMMET (Ref # 92071)	92071-1226	4
DAMPER (Ref # 92075)	92075-1898	4
BUSHING-RUBBER,MUFFLER (Ref # 92092)	92092-1013	2
BUSHING-RUBBER (Ref # 92092A)	92092-1081	2
COLLAR (Ref # 92143)	92143-1753	4
BOLT,10X55 (Ref # 92150)	92150-1749	2
CLAMP (Ref # 92170)	92170-1928	2
CLAMP (Ref # 92170A)	92170-1934	2
CLAMP (Ref # 92170B)	92170-1964	4
CLAMP (Ref # 92171)	92171-1152	2