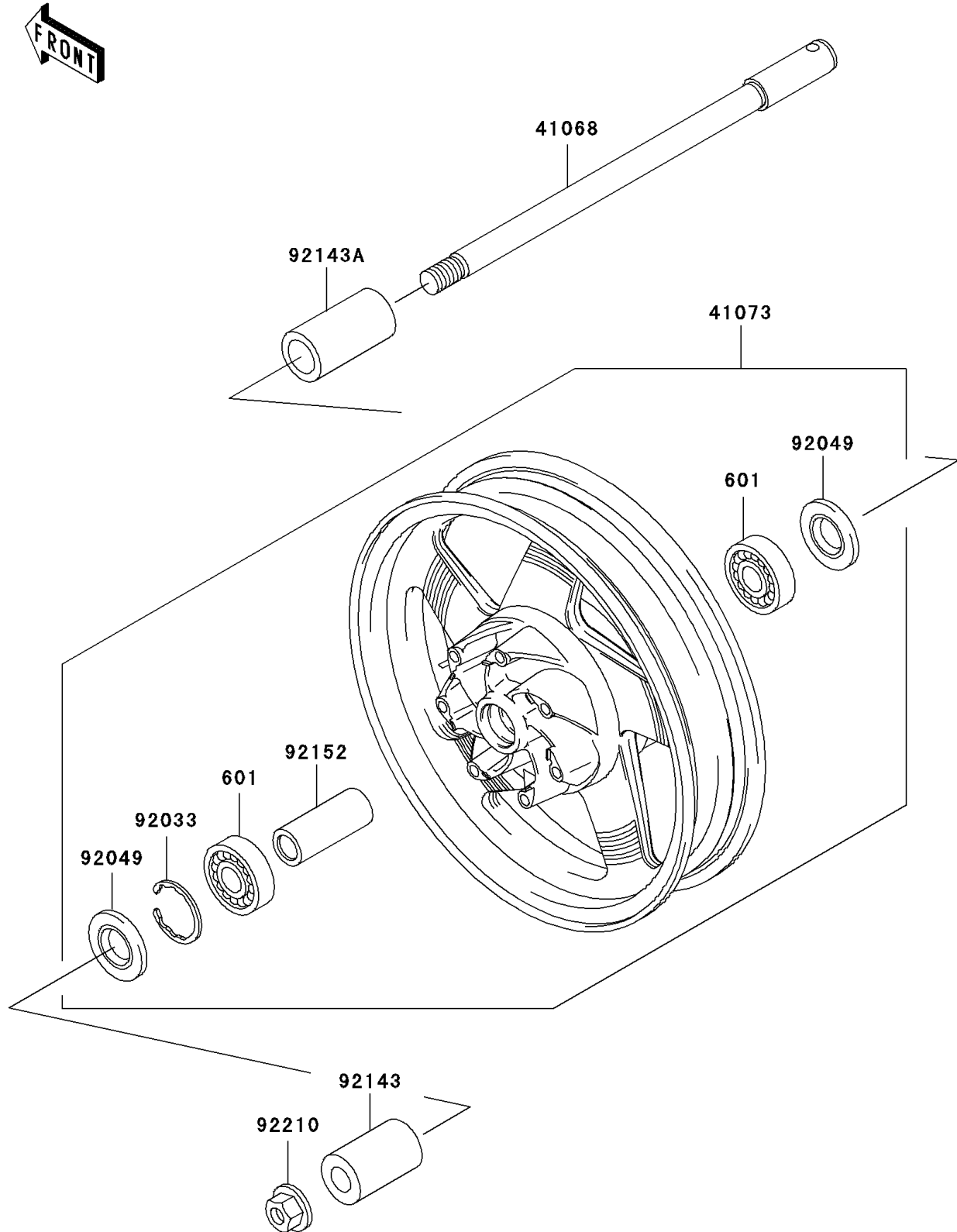


# 2001 Vulcan 1500 Nomad Fi PARTS DIAGRAM

Front Wheel

F2230



## 2001 Vulcan 1500 Nomad Fi PARTS LIST

### Front Wheel

ITEM NAME	PART NUMBER	QUANTITY
BEARING-BALL,#6004UUC3 (Ref # 601)	601B6004UU	2
AXLE,FR (Ref # 41068)	41068-1411	1
WHEEL-ASSY,FR,SILVER (Ref # 41073)	41073-1666-CX	1
RING-SNAP,42MM (Ref # 92033)	92033-1041	1
SEAL-OIL,BJN30427-C3 (Ref # 92049)	92049-1057	2
COLLAR,FR AXLE,LH,L=48.5 (Ref # 92143)	92143-1837	1
COLLAR,FR AXLE,RH,L=57.5 (Ref # 92143A)	92143-1854	1
COLLAR,FR HUB,L=100 (Ref # 92152)	92152-1057	1
NUT,FLANGED,18MM (Ref # 92210)	92210-1158	1