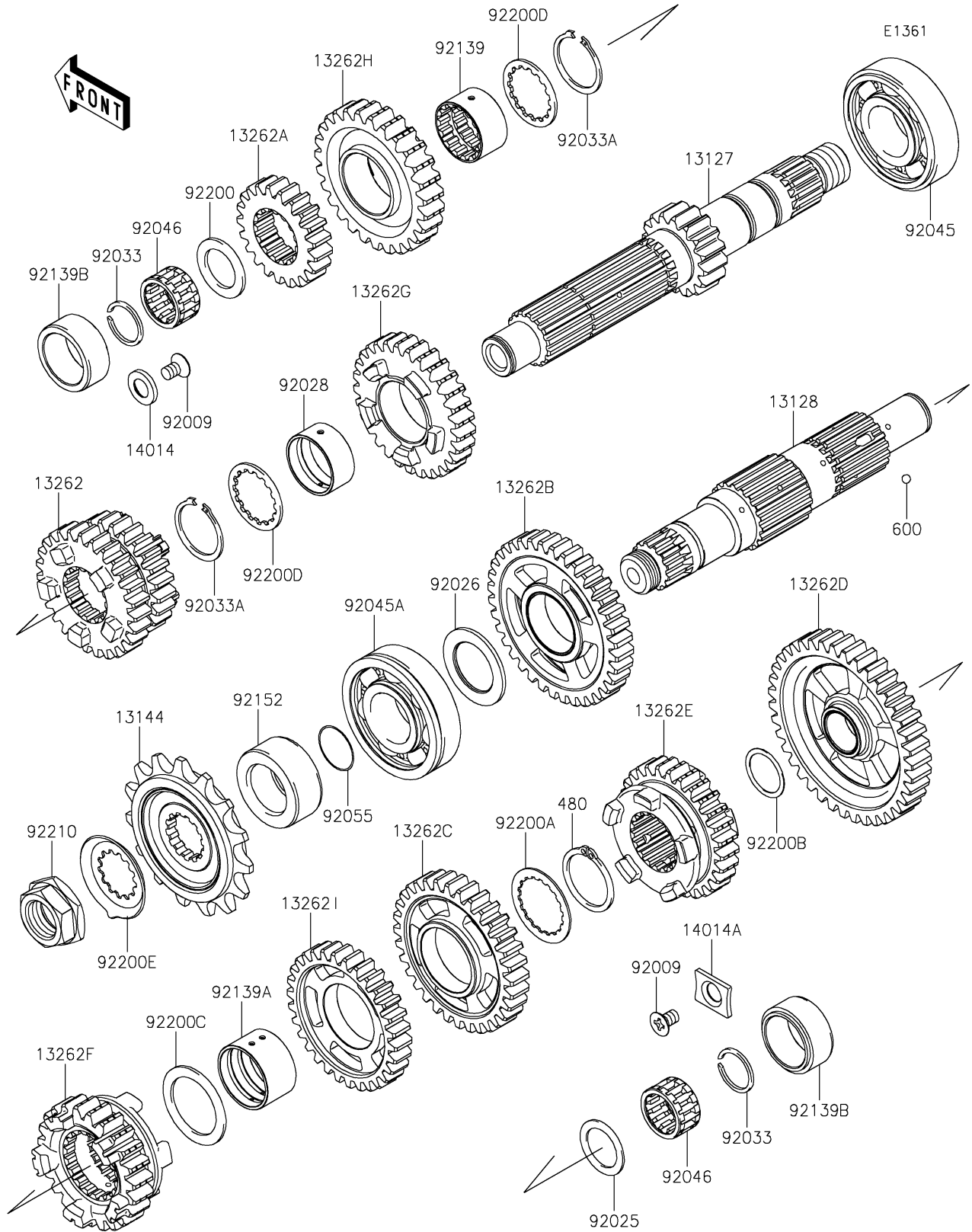


2023 VULCAN® S PARTS DIAGRAM

Transmission



2023 VULCAN® S PARTS LIST

Transmission

ITEM NAME	PART NUMBER	QUANTITY
-----------	-------------	----------