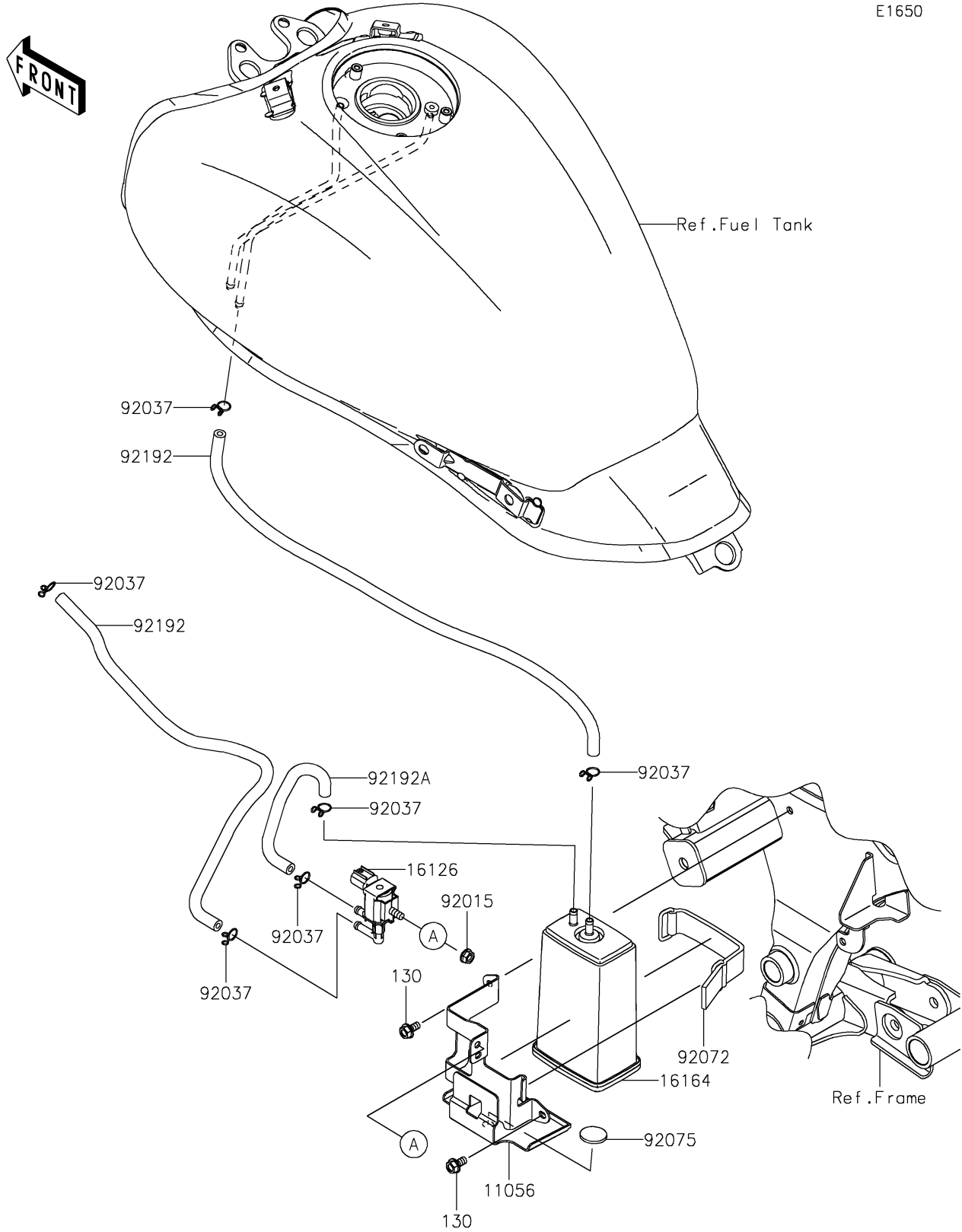


# 2022 Vulcan® S ABS PARTS DIAGRAM

Fuel Evaporative System(CA)

E1650



## 2022 Vulcan® S ABS PARTS LIST

Fuel Evaporative System(CA)

| ITEM NAME                          | PART NUMBER | QUANTITY |
|------------------------------------|-------------|----------|
| BRACKET (Ref # 11056)              | 11056-3991  | 1        |
| VALVE,SOLENOID (Ref # 16126)       | 16126-0705  | 1        |
| CANISTER (Ref # 16164)             | 16164-0012  | 1        |
| NUT,FLANGED,6MM (Ref # 92015)      | 92015-1367  | 1        |
| CLAMP,TUBE (Ref # 92037)           | 92037-147   | 6        |
| BAND,L=90 (Ref # 92072)            | 92072-0135  | 1        |
| DAMPER,RUBBER (Ref # 92075)        | 92075-261   | 1        |
| TUBE,5X10.4X470&40 (Ref # 92192)   | 92192-1385  | 2        |
| TUBE,CANISTER-VALVE (Ref # 92192A) | 92192-1386  | 1        |
| BOLT-FLANGED,6X12 (Ref # 130)      | 130BA0612   | 2        |