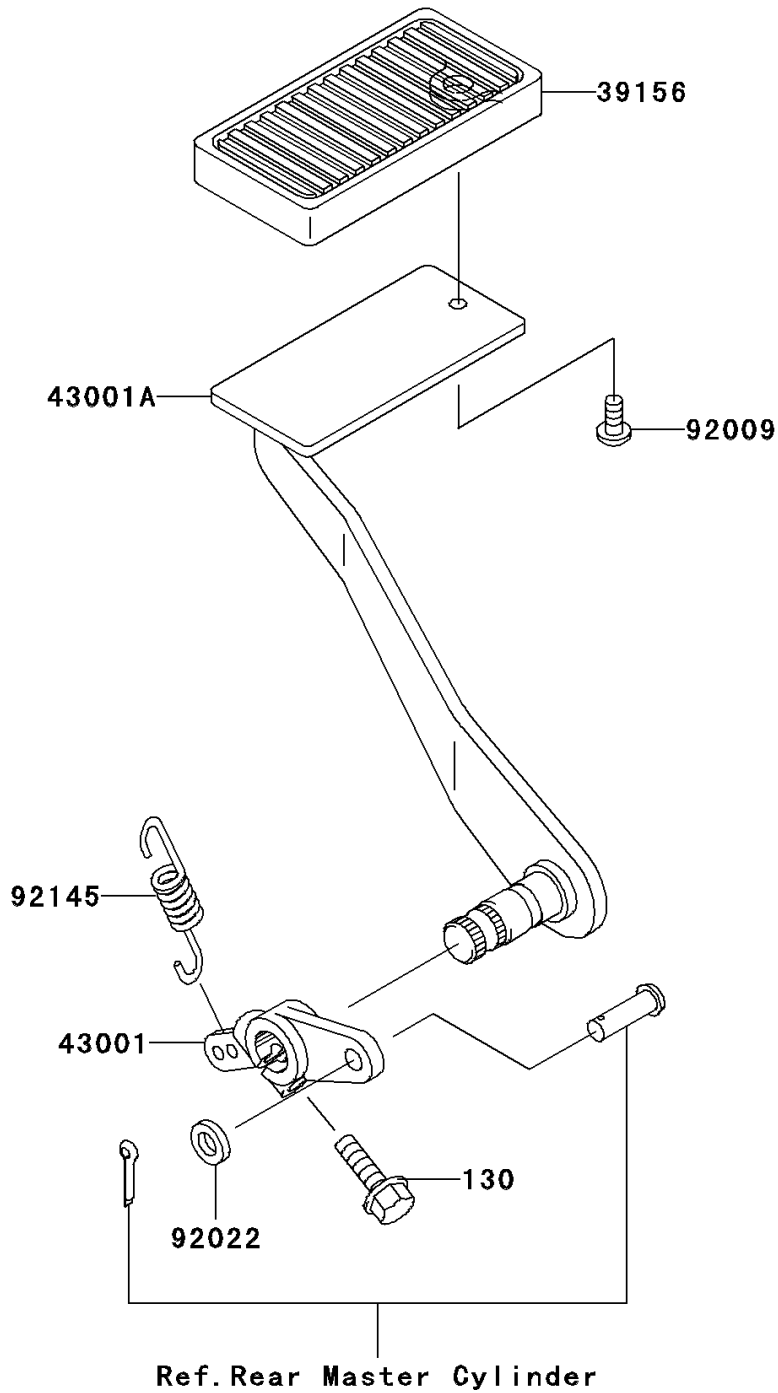


2003 Vulcan 1500 Nomad Fi PARTS DIAGRAM

Brake Pedal/Torque Link

F2260



2003 Vulcan 1500 Nomad Fi PARTS LIST

Brake Pedal/Torque Link

| ITEM NAME | PART NUMBER | QUANTITY |
|---|-------------|----------|
| BOLT-FLANGED,8X30 (Ref # 130) | 130J0830 | 1 |
| PAD,BRAKE PEDAL (Ref # 39156) | 39156-1624 | 1 |
| LEVER-BRAKE (Ref # 43001) | 43001-1431 | 1 |
| LEVER-BRAKE,PEDAL (Ref # 43001A) | 43001-1433 | 1 |
| SCREW,6X8 (Ref # 92009) | 92009-1677 | 1 |
| WASHER,8.5X16X1.2 (Ref # 92022) | 92022-1582 | 1 |
| SPRING,BRAKE PEDAL RETURN (Ref # 92145) | 92145-1353 | 1 |