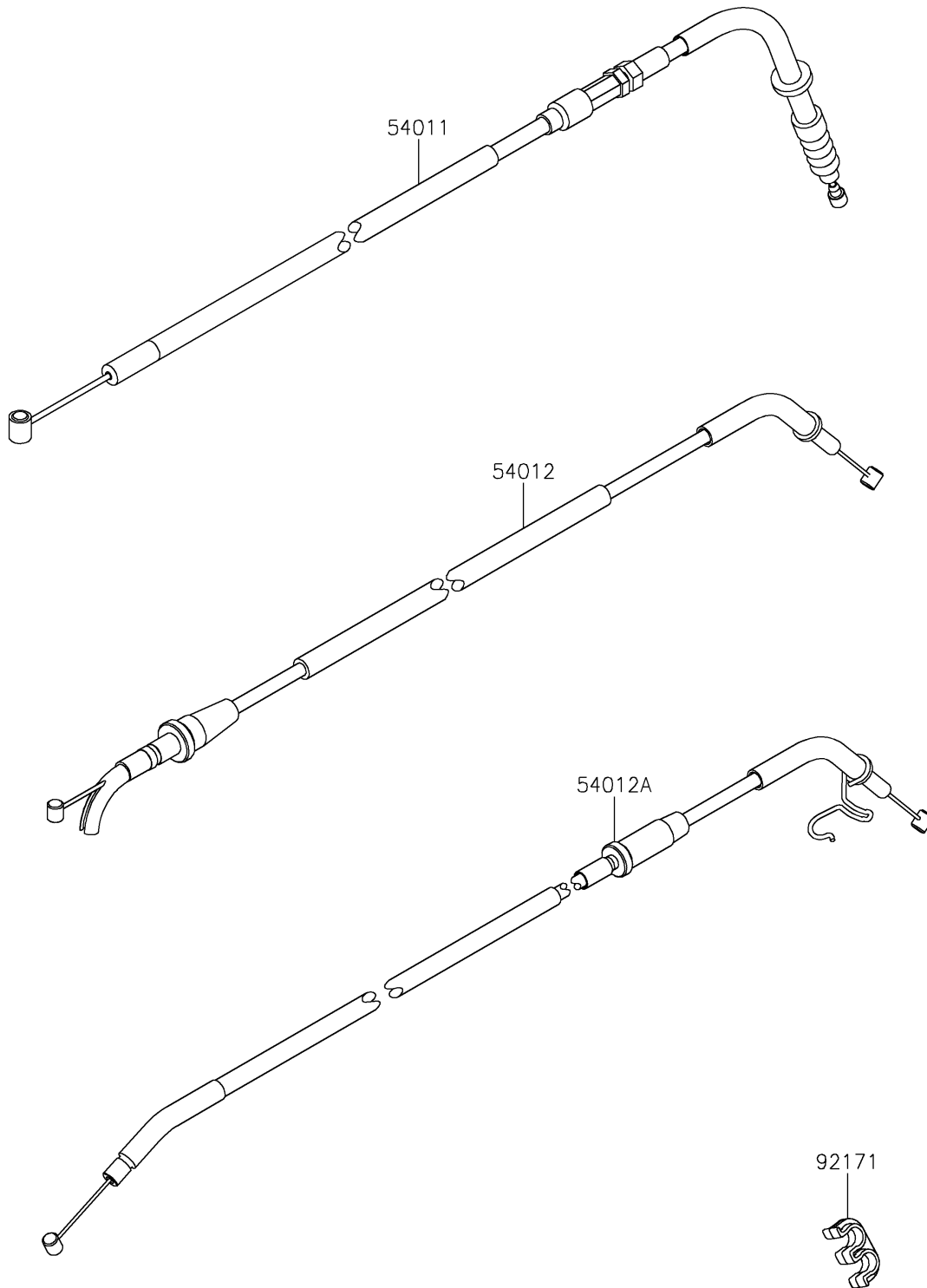


# 2023 VULCAN<sup>®</sup> S PARTS DIAGRAM

Cables

F2540



# 2023 VULCAN® S PARTS LIST

Cables

ITEM NAME	PART NUMBER	QUANTITY
-----------	-------------	----------