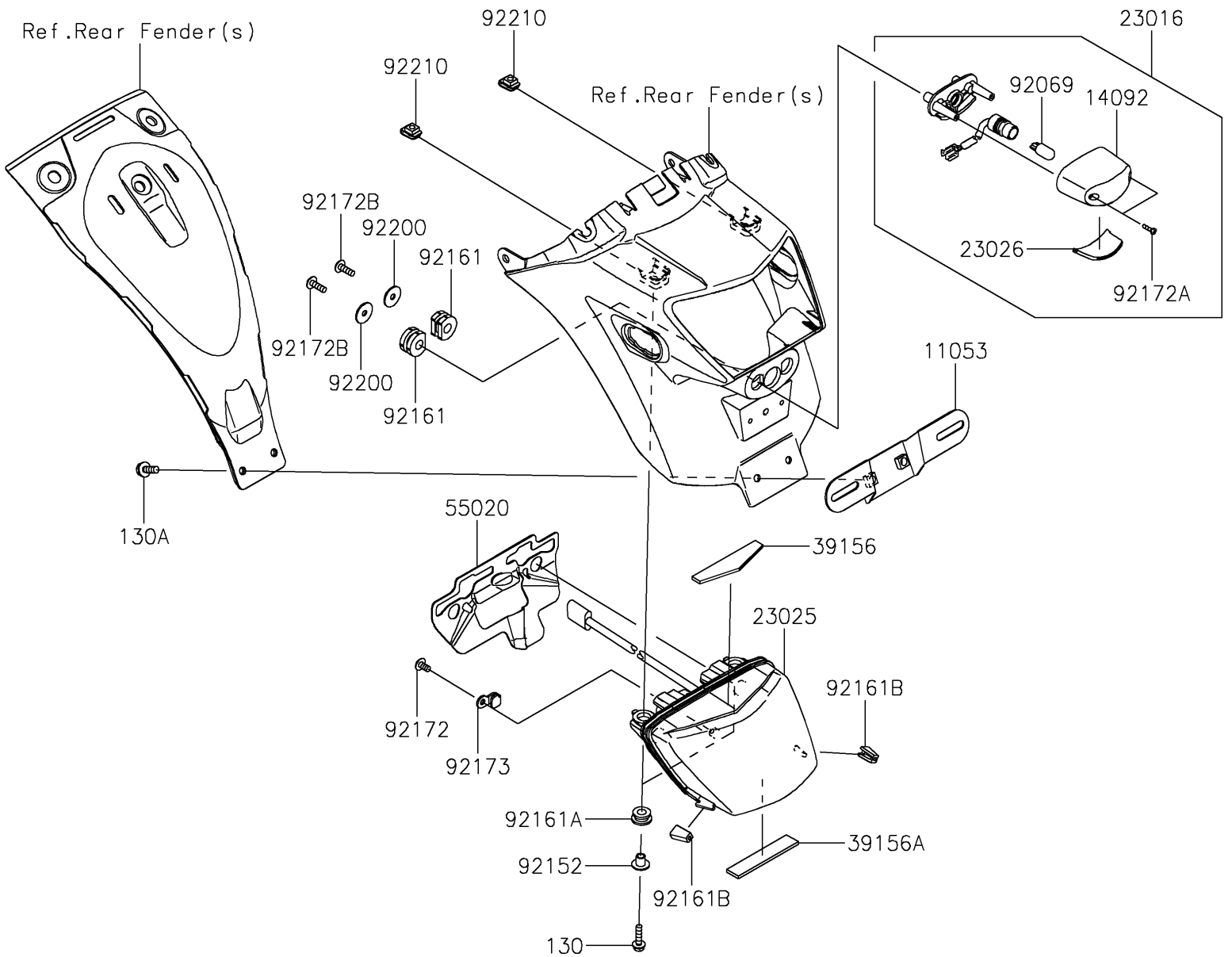


2022 VULCAN® S PARTS DIAGRAM

Taillight(s)

F2720



2022 VULCAN® S PARTS LIST

Taillight(s)

| ITEM NAME | PART NUMBER | QUANTITY |
|-------------------------------------|-------------|----------|
| BRACKET,LICENSE (Ref # 11053) | 11053-0400 | 1 |
| COVER,LICENSE LAMP (Ref # 14092) | 14092-0001 | 1 |
| LAMP-ASSY,LICENCE (Ref # 23016) | 23016-0658 | 1 |
| LAMP-TAIL,LED (Ref # 23025) | 23025-0342 | 1 |
| LENS,LICENCE LAMP (Ref # 23026) | 23026-0035 | 1 |
| PAD,20X80X3 (Ref # 39156) | 39156-1869 | 1 |
| PAD,15X76X3 (Ref # 39156A) | 39156-1928 | 1 |
| GUARD,TAIL LAMP (Ref # 55020) | 55020-1882 | 1 |
| BULB,12V 5W (Ref # 92069) | 92069-1016 | 1 |
| COLLAR (Ref # 92152) | 92152-1592 | 2 |
| DAMPER (Ref # 92161) | 92161-0776 | 2 |
| DAMPER,8X18X8.1 (Ref # 92161A) | 92161-1369 | 2 |
| DAMPER,TAIL LAMP (Ref # 92161B) | 92161-1694 | 2 |
| SCREW,TAPPING,5X10 (Ref # 92172) | 92172-0262 | 1 |
| SCREW,TAPPING,2.9X13 (Ref # 92172A) | 92172-0343 | 2 |
| SCREW,TAPPING,5X16 (Ref # 92172B) | 92172-0427 | 2 |
| CLAMP (Ref # 92173) | 92173-1337 | 1 |
| WASHER,5.5X20X1.2 (Ref # 92200) | 92200-0284 | 2 |
| NUT,PLATE,5MM (Ref # 92210) | 92210-0935 | 2 |
| BOLT-FLANGED,5X20 (Ref # 130) | 130BA0520 | 2 |
| BOLT-FLANGED,6X16 (Ref # 130A) | 130BA0616 | 2 |