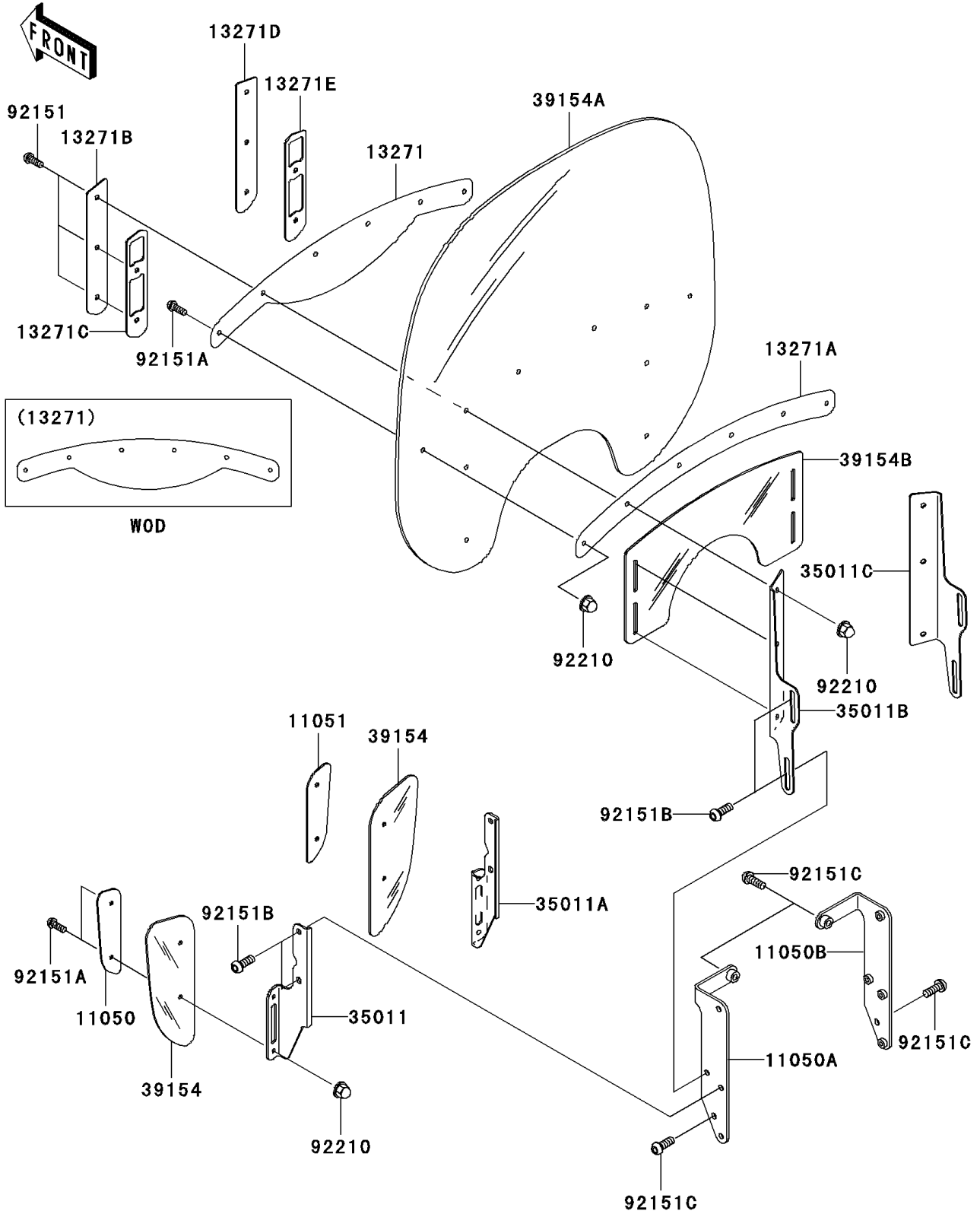


2002 Vulcan 1500 Nomad Fi PARTS DIAGRAM

Cowling

F2871



2002 Vulcan 1500 Nomad Fi PARTS LIST

Cowling

ITEM NAME	PART NUMBER	QUANTITY
BRACKET,DEFLECTOR,LH (Ref # 11050)	11050-1750	1
BRACKET,WINDSHIELD,LH (Ref # 11050A)	11050-1891	1
BRACKET,WINDSHIELD,RH (Ref # 11050B)	11050-1892	1
BRACKT,DEFRECTOR,RH (Ref # 11051)	11051-1061	1
PLATE,WINDSHIELD,CNT,OUTER (Ref # 13271)	13271-1089	1
PLATE,WINDSHIELD,CNT,INNER (Ref # 13271A)	13271-1090	1
PLATE,WINDSHIELD,LH,OUTER (Ref # 13271B)	13271-1093	1
PLATE,WINDSHIELD,LH,INNER (Ref # 13271C)	13271-1094	1
PLATE,WINDSHIELD,RH,OUTER (Ref # 13271D)	13271-1095	1
PLATE,WINDSHIELD,RH,INNER (Ref # 13271E)	13271-1096	1
STAY,DEFLECTOR,LH (Ref # 35011)	35011-1916	1
STAY,DEFLECTOR,RH (Ref # 35011A)	35011-1917	1
STAY,WINDSHIELD,LH (Ref # 35011B)	35011-1944	1
STAY,WINDSHIELD,RH (Ref # 35011C)	35011-1945	1
WINDSHIELD,DEFLECTOR (Ref # 39154)	39154-1139	2
WINDSHIELD,MAIN (Ref # 39154A)	39154-1141	1
WINDSHIELD,SUB (Ref # 39154B)	39154-1142	1
BOLT,SOCKET,6X20 (Ref # 92151)	92151-1750	6
BOLT,SOCKET,6X16 (Ref # 92151A)	92151-1751	8
BOLT,SOCKET,8X16 (Ref # 92151B)	92151-1752	8
BOLT,SOCKET,8X25 (Ref # 92151C)	92151-1753	4
NUT,CAP,6MM (Ref # 92210)	92210-1129	14