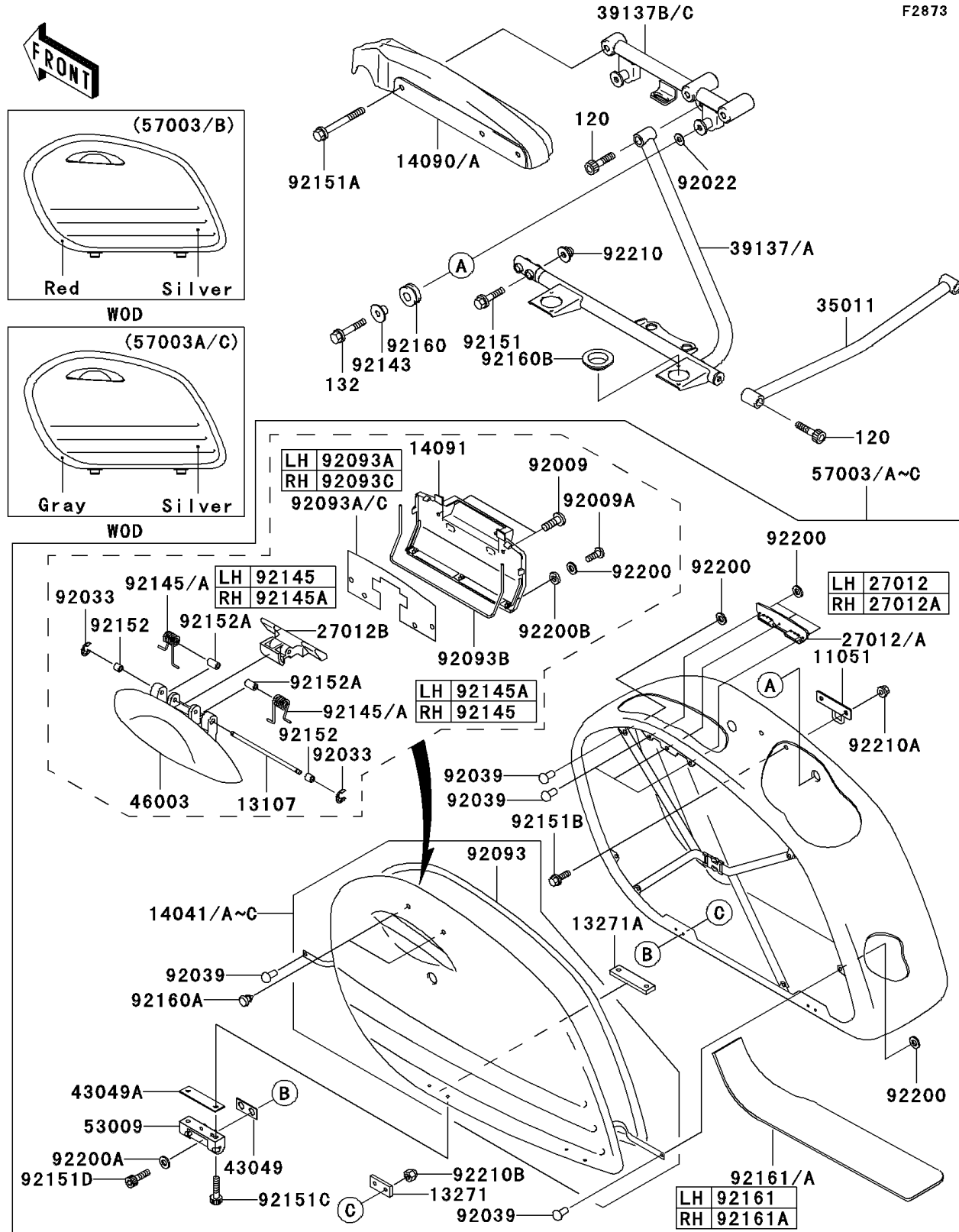


# 2001 Vulcan 1500 Nomad Fi PARTS DIAGRAM

Saddlebags(VN1500-L2)

F2873



## 2001 Vulcan 1500 Nomad Fi PARTS LIST

Saddlebags(VN1500-L2)

ITEM NAME	PART NUMBER	QUANTITY
BRACKET,SIDE BAG BODY (Ref # 11051)	11051-1104	2
SHAFT (Ref # 13107)	13107-1403	2
PLATE (Ref # 13271)	13271-1146	4
PLATE (Ref # 13271A)	13271-1147	4
COVER,SIDE BAG,LH,G.SILVER (Ref # 14041)	14041-1130-F2	1
COVER,SIDE BAG,LH,M.C.SILVER (Ref # 14041A)	14041-1130-GA	1
COVER,SIDE BAG,RH,G.SILVER (Ref # 14041B)	14041-1131-F2	1
COVER,SIDE BAG,RH,M.C.SILVER (Ref # 14041C)	14041-1131-GA	1
COVER,RR FENDER,LH (Ref # 14090)	14090-1894	1
COVER,RR FENDER,RH (Ref # 14090A)	14090-1895	1
COVER,LID MAINTENANCE (Ref # 14091)	14091-1069	2
HOOK,LOCK PLATE,LH (Ref # 27012)	27012-1571	1
HOOK,LOCK PLATE,RH (Ref # 27012A)	27012-1572	1
HOOK,HANDLE (Ref # 27012B)	27012-1575	2
STAY,SIDE BAG (Ref # 35011)	35011-1896	1
STAY-COMP,SIDE BAG,LH,LWR (Ref # 39137)	39137-1067	1
STAY-COMP,SIDE BAG,RH,LWR (Ref # 39137A)	39137-1068	1
STAY-COMP,SIDE BAG,LH,UPP (Ref # 39137B)	39137-1075	1
STAY-COMP,SIDE BAG,RH,UPP (Ref # 39137C)	39137-1076	1
PACKING (Ref # 43049)	43049-1084	4
PACKING (Ref # 43049A)	43049-1086	4
HANDLE,SIDE BAG (Ref # 46003)	46003-1505	2
HINGE,SIDE BAG (Ref # 53009)	53009-1104	4
BAG-ASSY,LH,RED+SILVER (Ref # 57003)	57003-1084-I3	1
BAG-ASSY,LH,GRAY+SILVER (Ref # 57003A)	57003-1084-I4	1
BAG-ASSY,RH,RED+SILVER (Ref # 57003B)	57003-1085-I3	1
BAG-ASSY,RH,GRAY+SILVER (Ref # 57003C)	57003-1085-I4	1
SCREW,TAPPING,4X12 (Ref # 92009)	92009-1870	4
SCREW,TAPPING,3X8 (Ref # 92009A)	92009-1871	6

## 2001 Vulcan 1500 Nomad Fi PARTS LIST

Saddlebags(VN1500-L2)

ITEM NAME	PART NUMBER	QUANTITY
WASHER,8.5X20X1.6,BLACK (Ref # 92022)	92022-1317	4
RING-SNAP (Ref # 92033)	92033-1300	4
RIVET (Ref # 92039)	92039-1236	18
SEAL,SIDE BAG COVER (Ref # 92093)	92093-1486	2
SEAL (Ref # 92093A)	92093-1487	1
SEAL (Ref # 92093B)	92093-1488	2
SEAL (Ref # 92093C)	92093-1489	1
COLLAR (Ref # 92143)	92143-1450	4
SPRING (Ref # 92145)	92145-1175	2
SPRING (Ref # 92145A)	92145-1200	2
BOLT,FLANGED,8X35 (Ref # 92151)	92151-1402	4
BOLT-SOCKET,8X35,BLACK (Ref # 120)	120S0835	4
BOLT-FLANGED-SMALL (Ref # 132)	132J0845	4
BOLT,FLANGED,8X75 (Ref # 92151A)	92151-1403	6
BOLT,FLANGED,6X16 (Ref # 92151B)	92151-1435	4
BOLT,SOCKET,4X22 (Ref # 92151C)	92151-1436	8
BOLT,SOCKET,4X18 (Ref # 92151D)	92151-1437	8
COLLAR (Ref # 92152)	92152-1121	4
COLLAR (Ref # 92152A)	92152-1122	4
DAMPER (Ref # 92160)	92160-1012	4
DAMPER (Ref # 92160A)	92160-1976	4
DAMPER (Ref # 92160B)	92160-1981	4
DAMPER,SIDE BAG,LH (Ref # 92161)	92161-1171	1
DAMPER,SIDE BAG,RH (Ref # 92161A)	92161-1176	1
WASHER,3MM (Ref # 92200)	92200-1442	24
WASHER,4MM (Ref # 92200A)	92200-1443	8
WASHER,3MM (Ref # 92200B)	92200-1444	6
NUT,CAP,8MM (Ref # 92210)	92210-1161	4
NUT,CAP,6MM (Ref # 92210A)	92210-1167	4

## 2001 Vulcan 1500 Nomad Fi PARTS LIST

Saddlebags(VN1500-L2)

ITEM NAME	PART NUMBER	QUANTITY
NUT,CAP,4MM (Ref # 92210B)	92210-1168	8