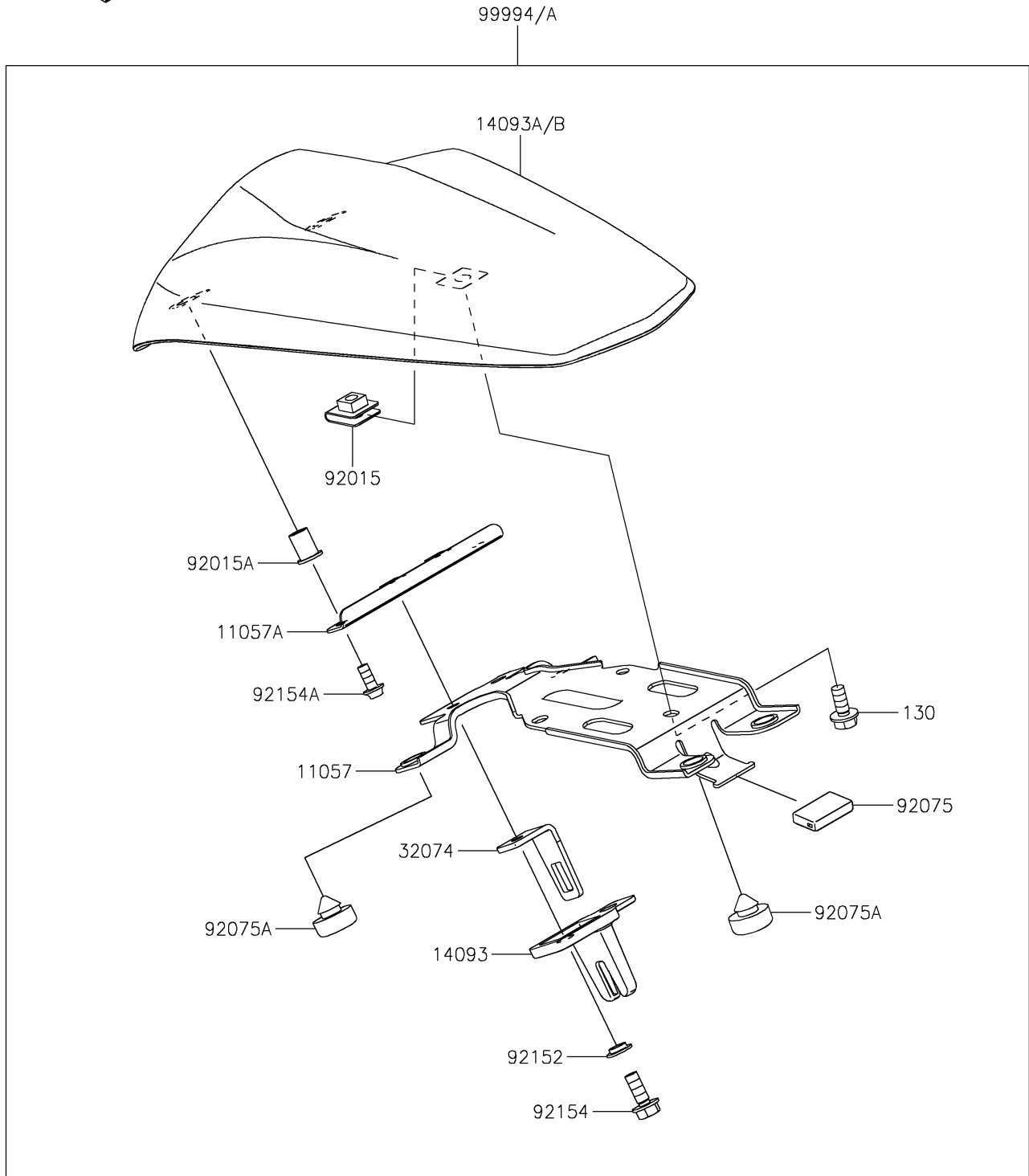


2022 Z H2 PARTS DIAGRAM

Accessory(Pillion Seat Cover)

F2910C



2022 Z H2 PARTS LIST

Accessory(Pillion Seat Cover)

| ITEM NAME | PART NUMBER | QUANTITY |
|--|----------------|----------|
| BRACKET,MOUNT (Ref # 11057) | 11057-0270 | 1 |
| BRACKET (Ref # 11057A) | 11057-2941 | 1 |
| COVER (Ref # 14093) | 14093-0515 | 1 |
| COVER,PILLION SEAT,M.G.GRAY (Ref # 14093A) | 14093-0974-45W | 1 |
| BRACKET-LOCK (Ref # 32074) | 32074-0017 | 1 |
| NUT,CLAMP,6MM (Ref # 92015) | 92015-1531 | 1 |
| NUT,WELL,5MM (Ref # 92015A) | 92015-1757 | 2 |
| DAMPER (Ref # 92075) | 92075-1446 | 1 |
| DAMPER,10X20X8 (Ref # 92075A) | 92075-1927 | 4 |
| COLLAR (Ref # 92152) | 92152-0250 | 2 |
| BOLT,FLANGED,6X16 (Ref # 92154) | 92154-0899 | 2 |
| BOLT,SOCKET,5X12 (Ref # 92154A) | 92154-0917 | 2 |
| PILLION SEAT COVER,M.G.GRAY (Ref # 99994) | 99994-1387-45W | 1 |
| BOLT-FLANGED,6X14 (Ref # 130) | 130BA0614 | 1 |