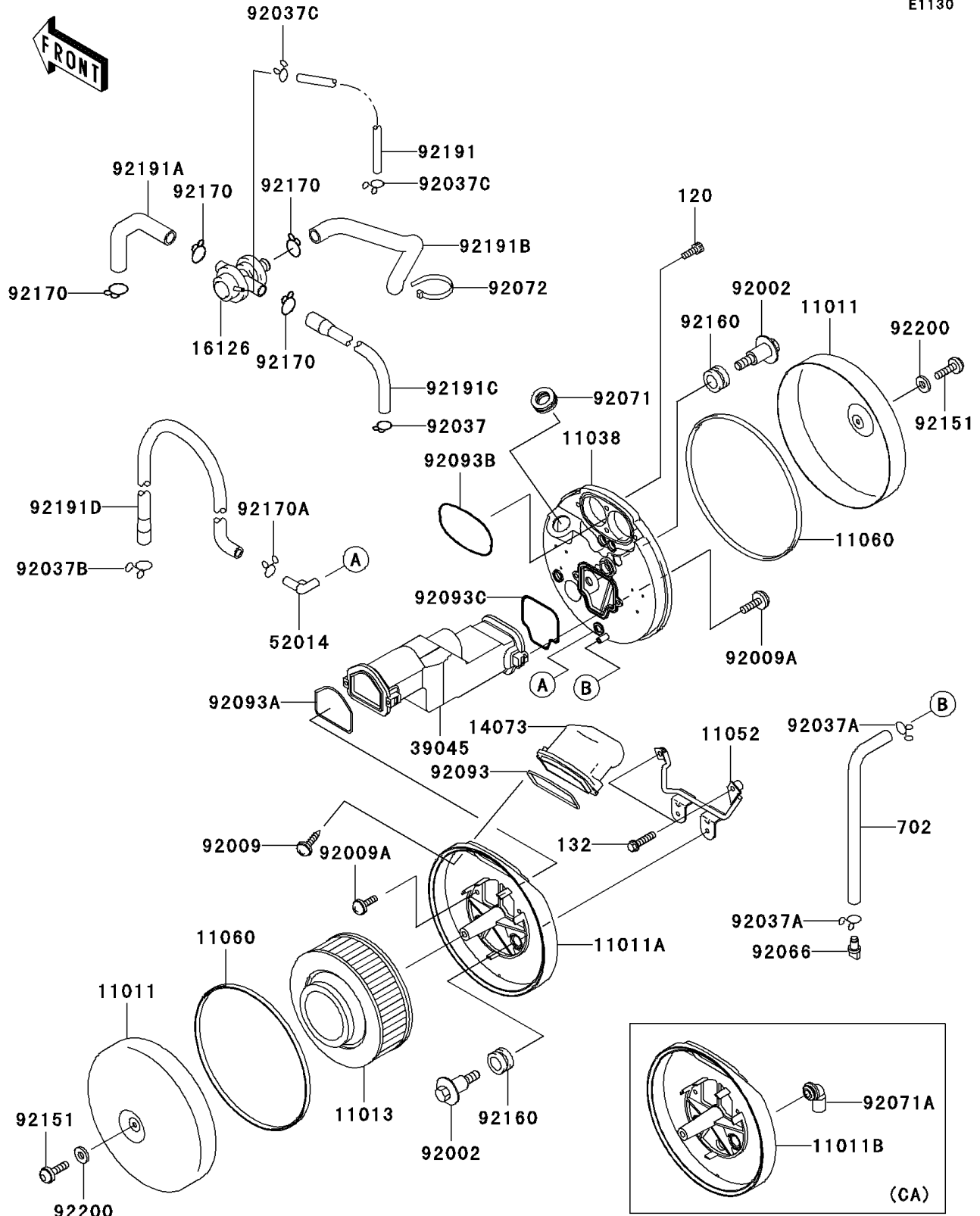


# 2004 Vulcan 1500 Nomad Fi PARTS DIAGRAM

Air Cleaner

E1130



# 2004 Vulcan 1500 Nomad Fi PARTS LIST

## Air Cleaner

ITEM NAME	PART NUMBER	QUANTITY
BOLT-SOCKET (Ref # 120)	120S0616	4
CASE-AIR FILTER,OUTSIDE (Ref # 11011)	11011-1576	2
ELEMENT-AIR FILTER (Ref # 11013)	11013-1248	1
CASE-ASSY-AIR FILTER,RH (Ref # 11038)	11038-0002	1
BRACKET (Ref # 11052)	11052-1166	1
GASKET,AIR FILTER CASE (Ref # 11060)	11060-1968	2
DUCT,AIR FILTER (Ref # 14073)	14073-1739	1
VALVE,AIR SWITCH (Ref # 16126)	16126-1384	1
DUCT-ASSY,CENTER (Ref # 39045)	39045-0003	1
ELBOW (Ref # 52014)	52014-1083	1
BOLT (Ref # 92002)	92002-1595	3
SCREW,TAPPING,5X16 (Ref # 92009)	92009-1264	2
SCREW,5X20 (Ref # 92009A)	92009-1905	4
CLAMP (Ref # 92037)	92037-1468	1
CLAMP,TUBE (Ref # 92037A)	92037-147	2
CLAMP (Ref # 92037B)	92037-1593	1
CLAMP (Ref # 92037C)	92037-1712	2
PLUG,DRAIN (Ref # 92066)	92066-1211	1
GROMMET,AIR FILTER (Ref # 92071)	92071-1028	1
BAND,L=202 (Ref # 92072)	92072-1195	1
SEAL,AIR FILTER CASE (Ref # 92093)	92093-1408	1
SEAL,DUCT,LH (Ref # 92093A)	92093-1459	1
SEAL (Ref # 92093B)	92093-1485	1
SEAL,DUCT,RH (Ref # 92093C)	92093-1491	1
BOLT,8X14 (Ref # 92151)	92151-1438	2
DAMPER (Ref # 92160)	92160-1594	3
CLAMP,TUBE (Ref # 92170)	92170-1445	4
CLAMP (Ref # 92170A)	92170-1695	1
TUBE,THROTTLE-VALVE (Ref # 92191)	92191-1312	1

## 2004 Vulcan 1500 Nomad Fi PARTS LIST

### Air Cleaner

ITEM NAME	PART NUMBER	QUANTITY
TUBE,HEAD,FR-VALVE (Ref # 92191A)	92191-1359	1
TUBE,VALVE-CLEANER (Ref # 92191B)	92191-1360	1
TUBE,HEAD,RR-VALVE (Ref # 92191C)	92191-1369	1
TUBE,BREATHER (Ref # 92191D)	92191-1406	1
WASHER,8.5X20X1.6 (Ref # 92200)	92200-1463	2
BOLT-FLANGED-SMALL (Ref # 132)	132J0625	2
TUBE-RUBBER (Ref # 702)	702A07230	1
CASE-AIR FILTER,LH (Ref # 11011A)	11011-1597	1
CASE-AIR FILTER,LH (Ref # 11011B)	11011-1601	1
GROMMET,AIR FILTER (Ref # 92071A)	92071-1114	1