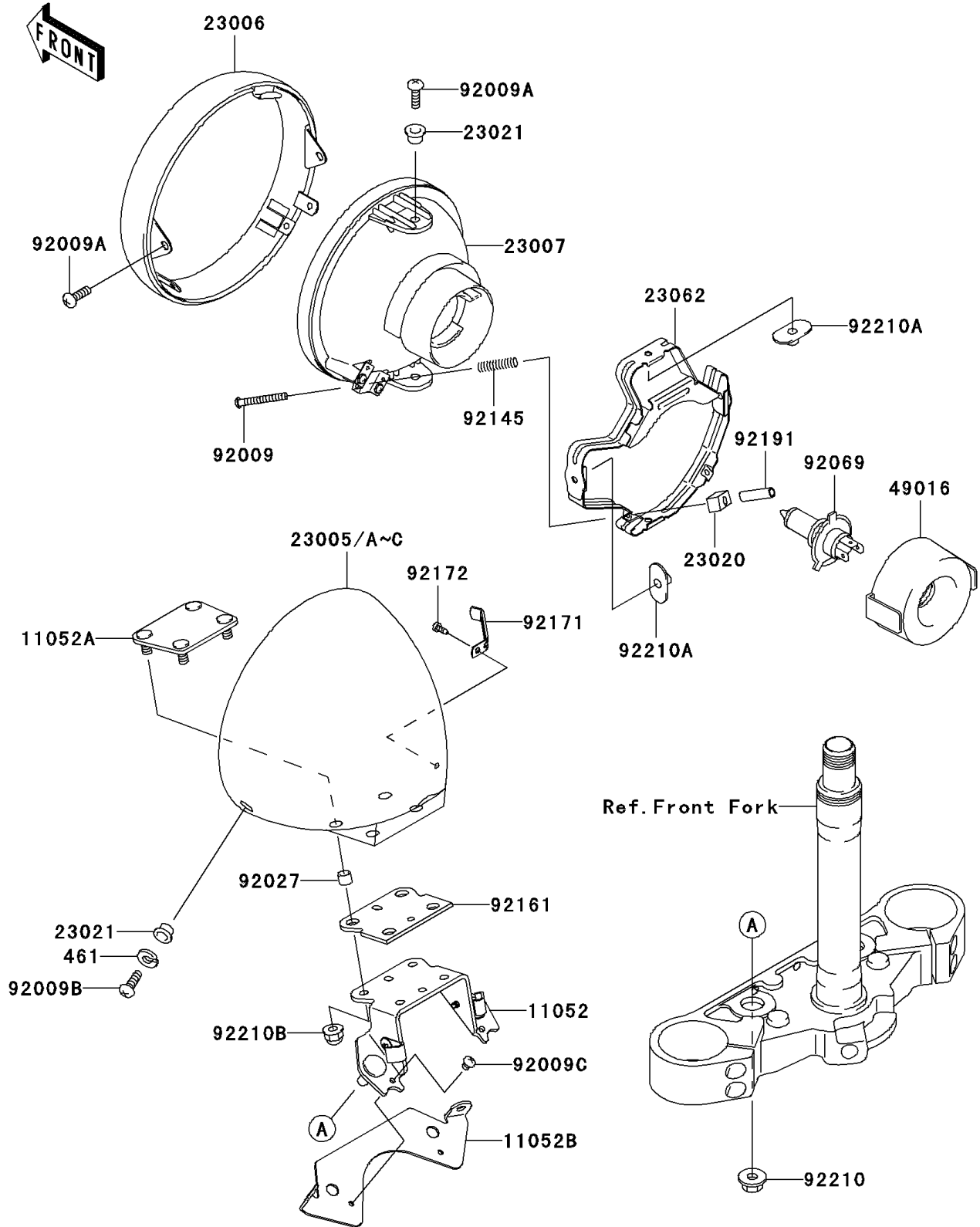


2006 Vulcan 1600 Mean Streak PARTS DIAGRAM

Headlight(s)

F2710



2006 Vulcan 1600 Mean Streak PARTS LIST

Headlight(s)

| ITEM NAME | PART NUMBER | QUANTITY |
|---------------------------------------|-------------|----------|
| WASHER-SPRING,5MM (Ref # 461) | 461S0500 | 2 |
| BRACKET,HEAD LAMP BODY (Ref # 11052) | 11052-1265 | 1 |
| BRACKET,HEAD LAMP BODY (Ref # 11052A) | 11052-1266 | 1 |
| BRACKET,HEAD LAMP BODY (Ref # 11052B) | 11052-1371 | 1 |
| BODY-COMP-HEAD LAMP (Ref # 23005C) | 23005-1203 | 1 |
| RIM-LAMP (Ref # 23006) | 23006-0001 | 1 |
| LENS-COMP,HEAD LAMP (Ref # 23007) | 23007-1359 | 1 |
| NUT,4MM,FOCUS ADJUST (Ref # 23020) | 23020-018 | 2 |
| WASHER (Ref # 23021) | 23021-010 | 4 |
| BRACKET-COMP,HEAD LAMP (Ref # 23062) | 23062-1131 | 1 |
| COVER-SEAL,SOCKET (Ref # 49016) | 49016-1203 | 1 |
| SCREW,FOCUS ADJUST,4X60 (Ref # 92009) | 92009-1816 | 2 |
| SCREW,5X16 (Ref # 92009A) | 92009-1879 | 4 |
| SCREW,5MM (Ref # 92009B) | 92009-1947 | 2 |
| SCREW,4X5 (Ref # 92009C) | 92009-1988 | 2 |
| COLLAR,6.8X10X6 (Ref # 92027) | 92027-103 | 4 |
| BULB,12V 60/55W,H4 (Ref # 92069) | 92069-1002 | 1 |
| SPRING,HEAD LAMP LENS (Ref # 92145) | 92145-1268 | 2 |
| DAMPER,HEAD LAMP BODY (Ref # 92161) | 92161-1212 | 1 |
| CLAMP (Ref # 92171) | 92171-1867 | 1 |
| SCREW (Ref # 92172) | 92172-0400 | 1 |
| TUBE,3.5X5.5X19 (Ref # 92191) | 92191-1217 | 2 |
| NUT,FLANGED,8MM (Ref # 92210) | 92210-0004 | 2 |
| NUT,SPECIAL,5MM (Ref # 92210A) | 92210-1060 | 4 |
| NUT,CAP,6MM (Ref # 92210B) | 92210-1252 | 4 |