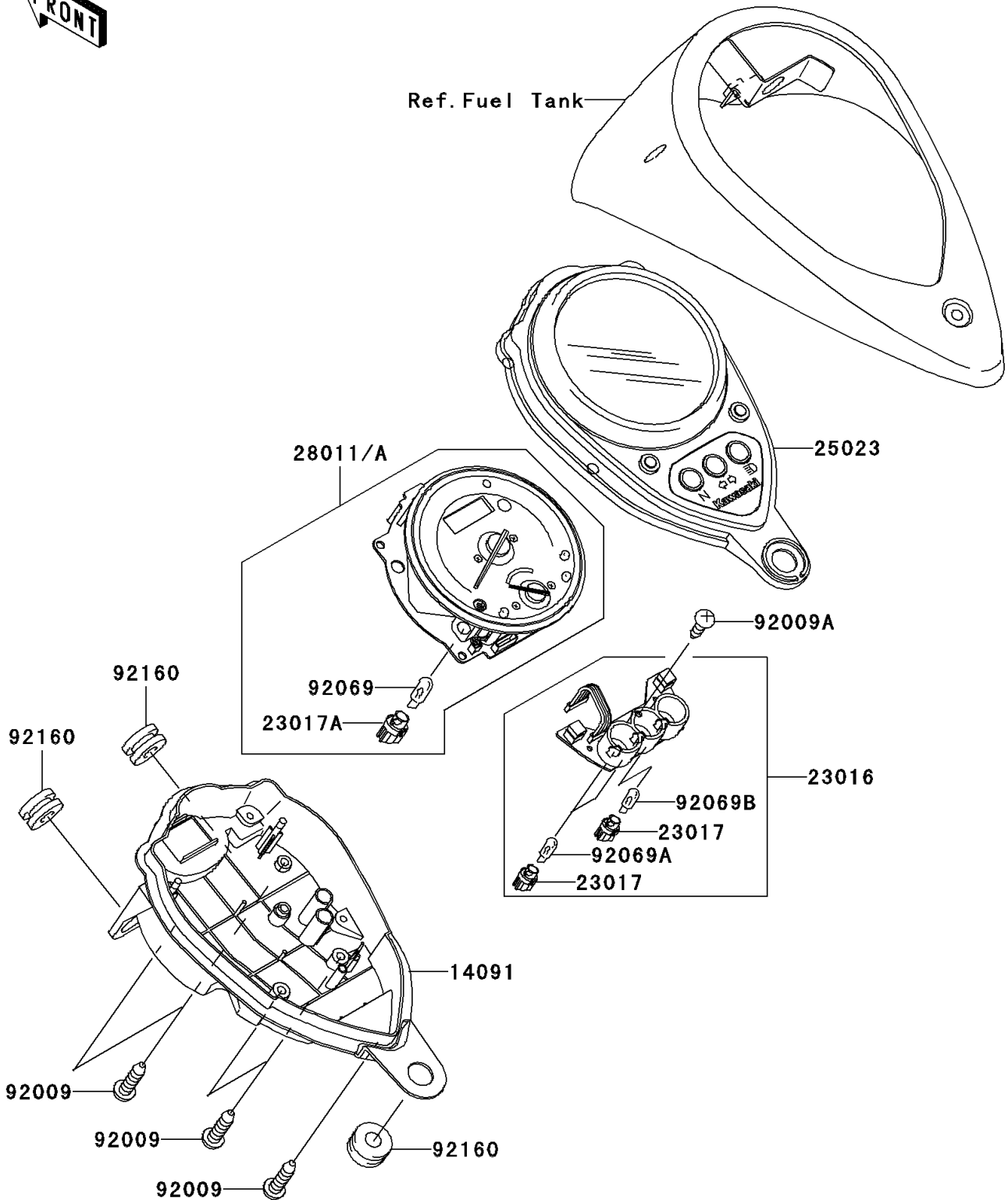


2004 Vulcan 1500 Nomad Fi PARTS DIAGRAM

Meter(s)

F2530



2004 Vulcan 1500 Nomad Fi PARTS LIST

Meter(s)

| ITEM NAME | PART NUMBER | QUANTITY |
|-------------------------------------|-------------|----------|
| COVER,METER,LWR (Ref # 14091) | 14091-1215 | 1 |
| LAMP-ASSY (Ref # 23016) | 23016-1186 | 1 |
| SOCKET,WEDGE BASE,T-5 (Ref # 23017) | 23017-1063 | 3 |
| SOCKET (Ref # 23017A) | 23017-1064 | 1 |
| COVER-METER CASE,UPP (Ref # 25023) | 25023-1255 | 1 |
| SCREW,TAPPING,4X16 (Ref # 92009) | 92009-1163 | 5 |
| SCREW,TAPPING,4X14 (Ref # 92009A) | 92009-1503 | 1 |
| BULB,12V 3W,T6.5 (Ref # 92069) | 92069-1068 | 1 |
| BULB,12V 2W,T5 (Ref # 92069A) | 92069-1105 | 2 |
| BULB,12V 1.4W,T5 (Ref # 92069B) | 92069-1117 | 1 |
| DAMPER (Ref # 92160) | 92160-1162 | 3 |
| METER,SPEED&TACHO,KPH (Ref # 28011) | 28011-1229 | 1 |
| METER,SPEED&FUEL,MPH (Ref # 28011A) | 28011-1239 | 1 |