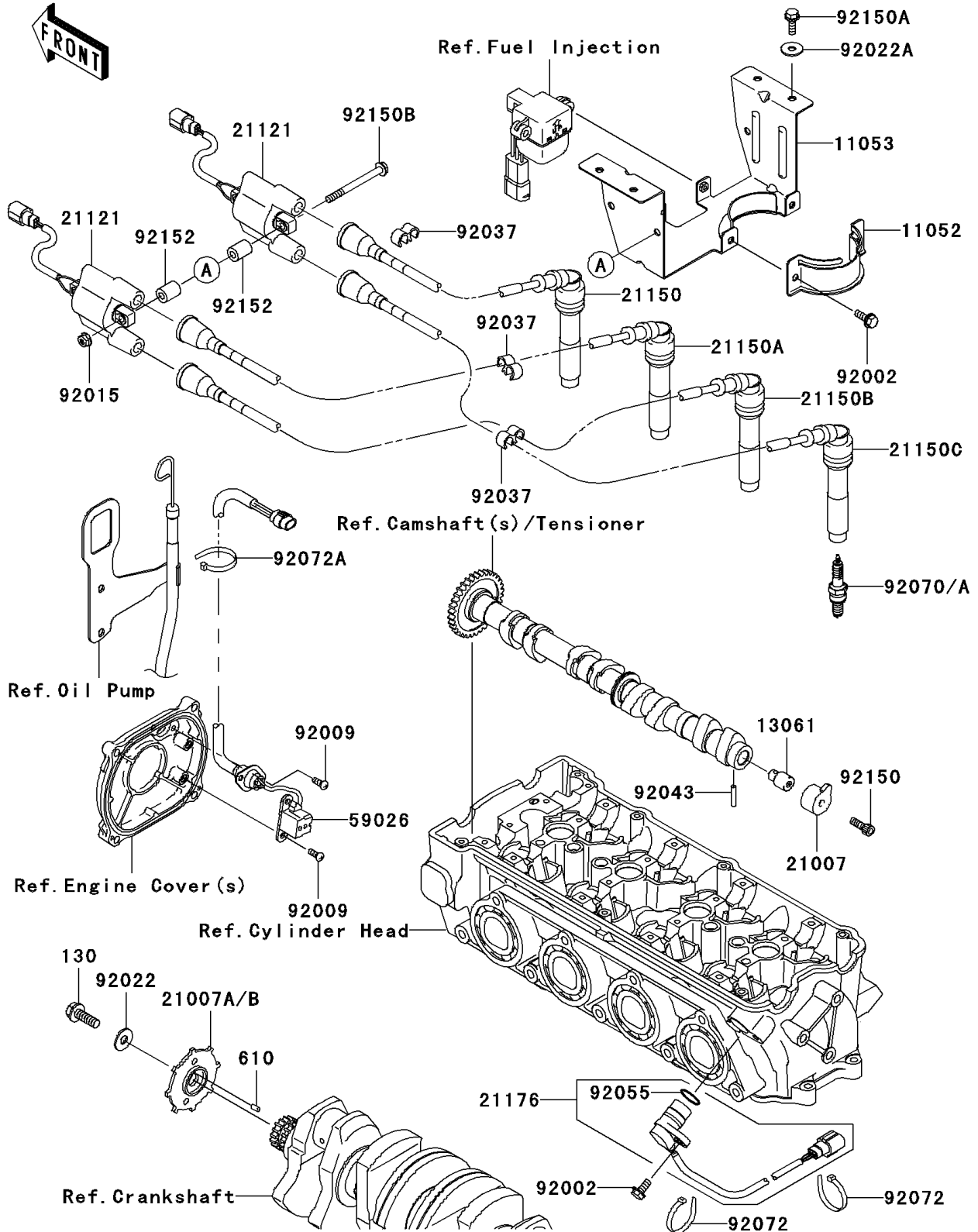


2009 Jet Ski® STX-15F PARTS DIAGRAM

Ignition System

E1830



2009 Jet Ski® STX-15F PARTS LIST

Ignition System

ITEM NAME	PART NUMBER	QUANTITY
-----------	-------------	----------