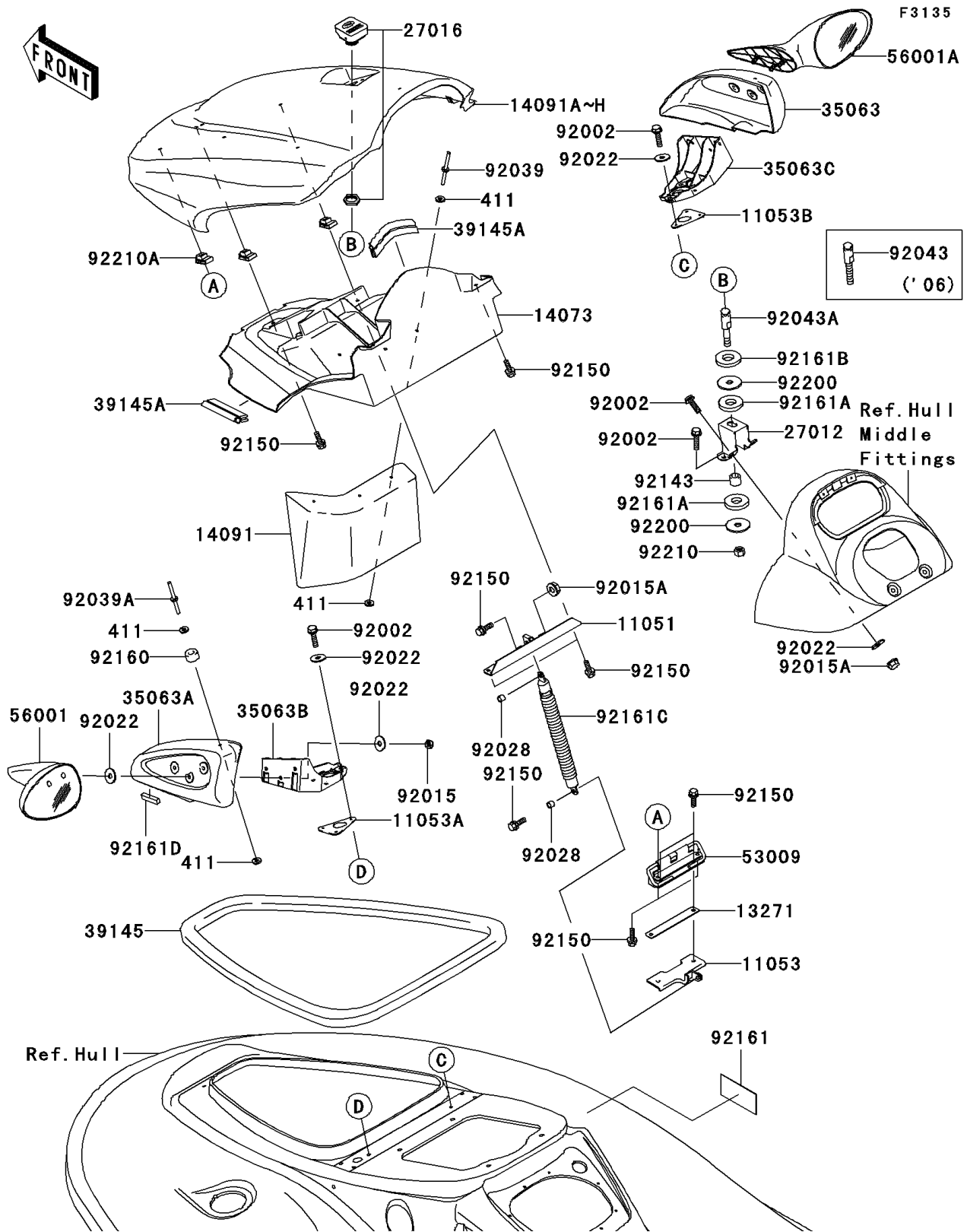


2008 STX-15F PARTS DIAGRAM

Hull Front Fittings



2008 STX-15F PARTS LIST

Hull Front Fittings

ITEM NAME	PART NUMBER	QUANTITY
BRACKET (Ref # 11051)	11051-3766	1
BRACKET (Ref # 11053)	11053-3752	1
BRACKET,LH (Ref # 11053A)	11053-3777	1
BRACKET,RH (Ref # 11053B)	11053-3778	1
PLATE (Ref # 13271)	13271-3897	1
DUCT,HATCH,INNER (Ref # 14073)	14073-3800	1
COVER,FRONT DUCT (Ref # 14091)	14091-3722	1
COVER,HATCH,F.RED (Ref # 14091A)	14091-3778-B1	1
COVER,HATCH,C.T.BLUE (Ref # 14091G)	14091-3778-386	1
HOOK (Ref # 27012)	27012-3855	1
LOCK-ASSY (Ref # 27016)	27016-3757	1
STAY,MIRROR,RH,F.BLACK (Ref # 35063)	35063-3709-6Z	1
STAY,MIRROR,LH,F.BLACK (Ref # 35063A)	35063-3710-6Z	1
STAY,MIRROR,LH (Ref # 35063B)	35063-3713	1
STAY,MIRROR,RH (Ref # 35063C)	35063-3714	1
TRIM-SEAL,L=1380 (Ref # 39145)	39145-3773	1
TRIM-SEAL,L=260 (Ref # 39145A)	39145-3789	3
HINGE,HATCH COVER (Ref # 53009)	53009-3725	1
MIRROR-ASSY,LH,F.S.BLACK (Ref # 56001)	56001-3721-8J	1
MIRROR-ASSY,RH,F.S.BLACK (Ref # 56001A)	56001-3722-8J	1
BOLT,6X25 (Ref # 92002)	92002-3714	10
NUT,LOCK,6MM (Ref # 92015)	92015-3766	6
NUT,6MM (Ref # 92015A)	92015-3767	5
WASHER,6.5X20X1.5 (Ref # 92022)	92022-3710	22
BUSHING (Ref # 92028)	92028-3765	2
RIVET (Ref # 92039)	92039-3714	3
RIVET (Ref # 92039A)	92039-3747	2
PIN (Ref # 92043A)	92043-3760	1
COLLAR,8.2X14X11.2 (Ref # 92143)	92143-3724	1

2008 STX-15F PARTS LIST

Hull Front Fittings

ITEM NAME	PART NUMBER	QUANTITY
BOLT,6X18 (Ref # 92150)	92150-3729	11
DAMPER (Ref # 92160)	92160-3738	2
DAMPER (Ref # 92161)	92161-3728	1
DAMPER (Ref # 92161A)	92161-3739	2
DAMPER (Ref # 92161B)	92161-3747	1
DAMPER,HATCH (Ref # 92161C)	92161-3753	1
DAMPER (Ref # 92161D)	92161-3754	2
WASHER,8.5X32X2 (Ref # 92200)	92200-3786	2
NUT,LOCK,8MM (Ref # 92210)	92210-3742	1
NUT,6MM (Ref # 92210A)	92210-3768	7
WASHER-PLAIN,5MM (Ref # 411)	411S0500	10