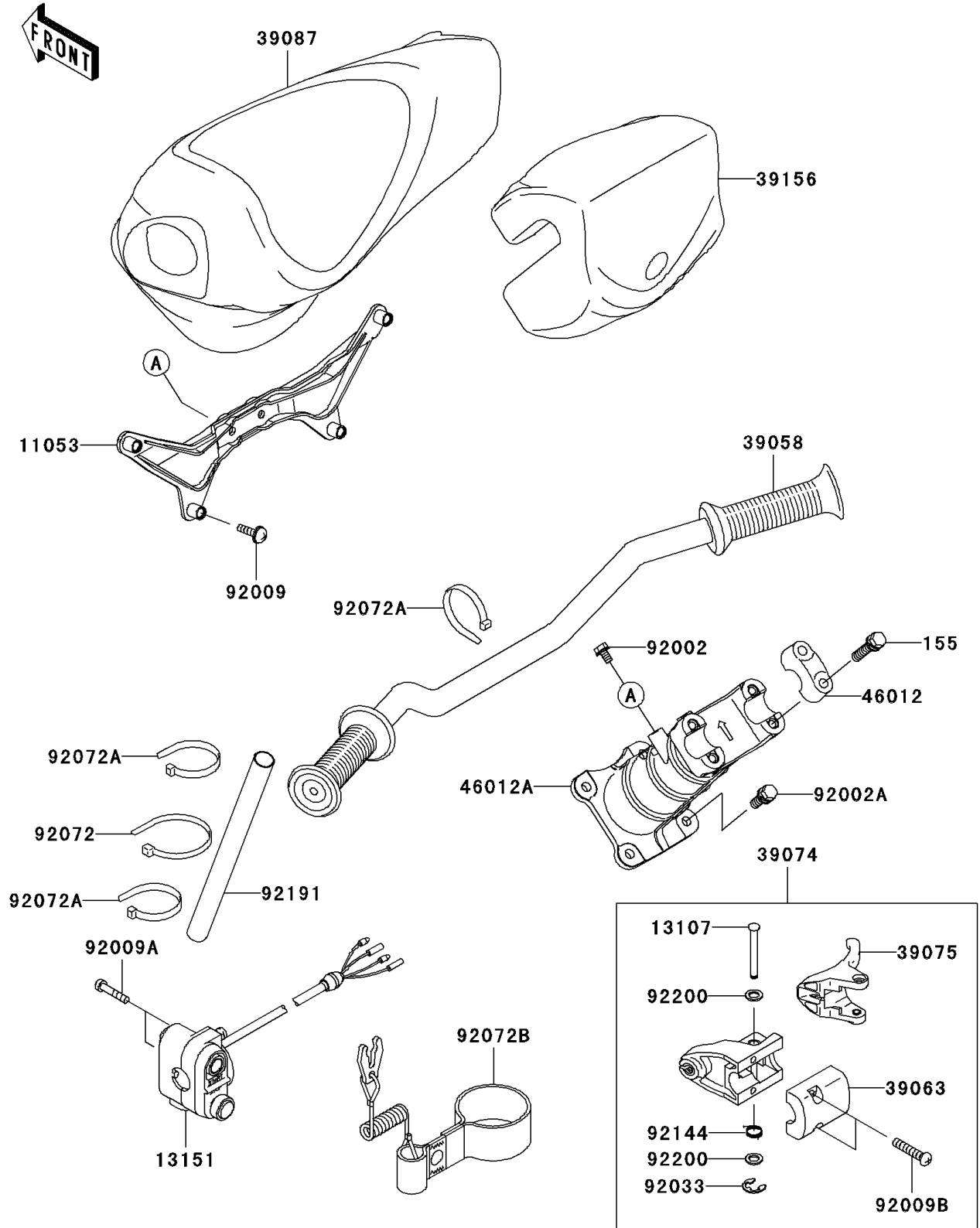


2006 STX-15F PARTS DIAGRAM

Handlebar

F3172



2006 STX-15F PARTS LIST

Handlebar

ITEM NAME	PART NUMBER	QUANTITY
BRACKET,HANDLE PAD (Ref # 11053)	11053-3762	1
SHAFT (Ref # 13107)	13107-3740	1
SWITCH-COMP,STOP&START (Ref # 13151)	13151-3722	1
HANDLE-COMP,F.BLACK (Ref # 39058)	39058-3735-6Z	1
HOUSING-CONTROL (Ref # 39063)	39063-3727	1
LEVER-ASSY-THROTTLE (Ref # 39074)	39074-3726	1
LEVER-THROTTLE (Ref # 39075)	39075-3714	1
PAD-HANDLE,F.BLACK (Ref # 39087)	39087-3730-6Z	1
PAD,HANDLE (Ref # 39156)	39156-3839	1
HOLDER-HANDLE,UPP (Ref # 46012)	46012-3720	2
HOLDER-HANDLE (Ref # 46012A)	46012-3728	1
BOLT,6X12 (Ref # 92002)	92002-3763	2
BOLT,8X25 (Ref # 92002A)	92002-3774	4
SCREW,6X20 (Ref # 92009)	92009-3781	4
SCREW,5X30 (Ref # 92009A)	92009-3836	2
SCREW,6X30 (Ref # 92009B)	92009-3837	2
RING-SNAP (Ref # 92033)	92033-3723	1
BAND,L=286.69 (Ref # 92072)	92072-0104	1
BAND,L=188.85 (Ref # 92072A)	92072-0105	3
BAND,TETHER SWITCH (Ref # 92072B)	92072-3816	1
SPRING (Ref # 92144)	92144-3749	1
TUBE,22X24X200 (Ref # 92191)	92191-3792	1
WASHER (Ref # 92200)	92200-3738	2
BOLT-WSP-SMALL,8X40 (Ref # 155)	155R0840	4