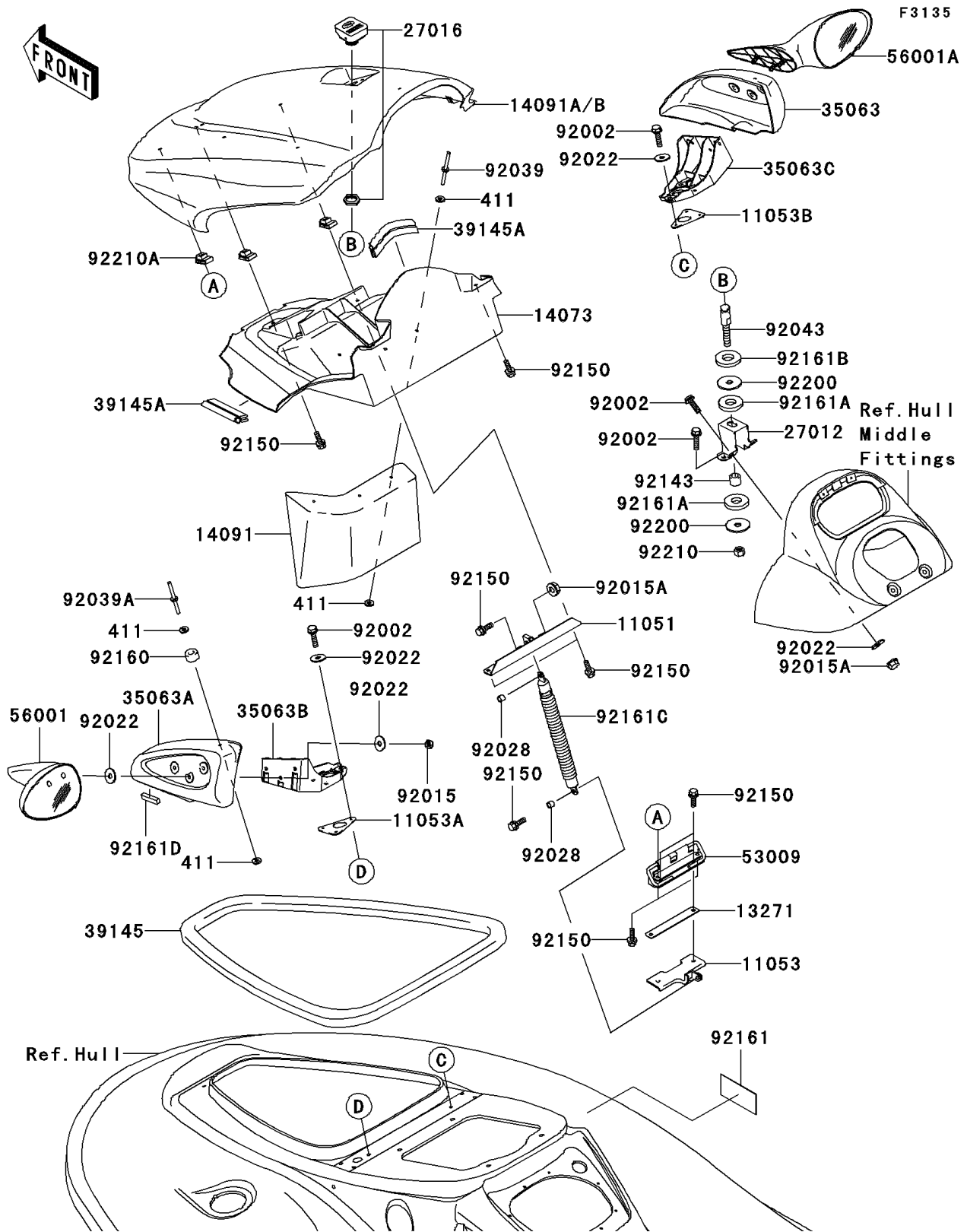


2005 STX-15F PARTS DIAGRAM

Hull Front Fittings



2005 STX-15F PARTS LIST

Hull Front Fittings

| ITEM NAME | PART NUMBER | QUANTITY |
|---|----------------|----------|
| BRACKET (Ref # 11051) | 11051-3766 | 1 |
| BRACKET (Ref # 11053) | 11053-3752 | 1 |
| BRACKET,LH (Ref # 11053A) | 11053-3777 | 1 |
| BRACKET,RH (Ref # 11053B) | 11053-3778 | 1 |
| PLATE (Ref # 13271) | 13271-3897 | 1 |
| DUCT,HATCH,INNER (Ref # 14073) | 14073-3800 | 1 |
| COVER,FRONT DUCT (Ref # 14091) | 14091-3722 | 1 |
| COVER,HATCH,C.P.RED (Ref # 14091A) | 14091-3757-V9 | 1 |
| COVER,HATCH,C.T.BLUE (Ref # 14091B) | 14091-3757-386 | 1 |
| HOOK (Ref # 27012) | 27012-3855 | 1 |
| LOCK-ASSY (Ref # 27016) | 27016-3757 | 1 |
| STAY,MIRROR,RH,F.BLACK (Ref # 35063) | 35063-3709-6Z | 1 |
| STAY,MIRROR,LH,F.BLACK (Ref # 35063A) | 35063-3710-6Z | 1 |
| STAY,MIRROR,LH (Ref # 35063B) | 35063-3713 | 1 |
| STAY,MIRROR,RH (Ref # 35063C) | 35063-3714 | 1 |
| TRIM-SEAL,L=1380 (Ref # 39145) | 39145-3773 | 1 |
| TRIM-SEAL,L=260 (Ref # 39145A) | 39145-3789 | 3 |
| HINGE,HATCH COVER (Ref # 53009) | 53009-3725 | 1 |
| MIRROR-ASSY,LH,F.S.BLACK (Ref # 56001) | 56001-3721-8J | 1 |
| MIRROR-ASSY,RH,F.S.BLACK (Ref # 56001A) | 56001-3722-8J | 1 |
| BOLT,6X25 (Ref # 92002) | 92002-3714 | 10 |
| NUT,LOCK,6MM (Ref # 92015) | 92015-3766 | 6 |
| NUT,6MM (Ref # 92015A) | 92015-3767 | 5 |
| WASHER,6.5X20X1.5 (Ref # 92022) | 92022-3710 | 22 |
| BUSHING (Ref # 92028) | 92028-3765 | 2 |
| RIVET (Ref # 92039) | 92039-3714 | 3 |
| RIVET (Ref # 92039A) | 92039-3747 | 2 |
| PIN (Ref # 92043) | 92043-3757 | 1 |
| COLLAR,8.2X14X11.2 (Ref # 92143) | 92143-3724 | 1 |

2005 STX-15F PARTS LIST

Hull Front Fittings

| ITEM NAME | PART NUMBER | QUANTITY |
|-------------------------------|-------------|----------|
| BOLT,6X18 (Ref # 92150) | 92150-3729 | 11 |
| DAMPER (Ref # 92160) | 92160-3738 | 2 |
| DAMPER (Ref # 92161) | 92161-3728 | 1 |
| DAMPER (Ref # 92161A) | 92161-3739 | 2 |
| DAMPER (Ref # 92161B) | 92161-3747 | 1 |
| DAMPER,HATCH (Ref # 92161C) | 92161-3753 | 1 |
| DAMPER (Ref # 92161D) | 92161-3754 | 2 |
| WASHER,8.5X32X2 (Ref # 92200) | 92200-3786 | 2 |
| NUT,LOCK,8MM (Ref # 92210) | 92210-3742 | 1 |
| NUT,6MM (Ref # 92210A) | 92210-3768 | 7 |
| WASHER-PLAIN,5MM (Ref # 411) | 411S0500 | 10 |