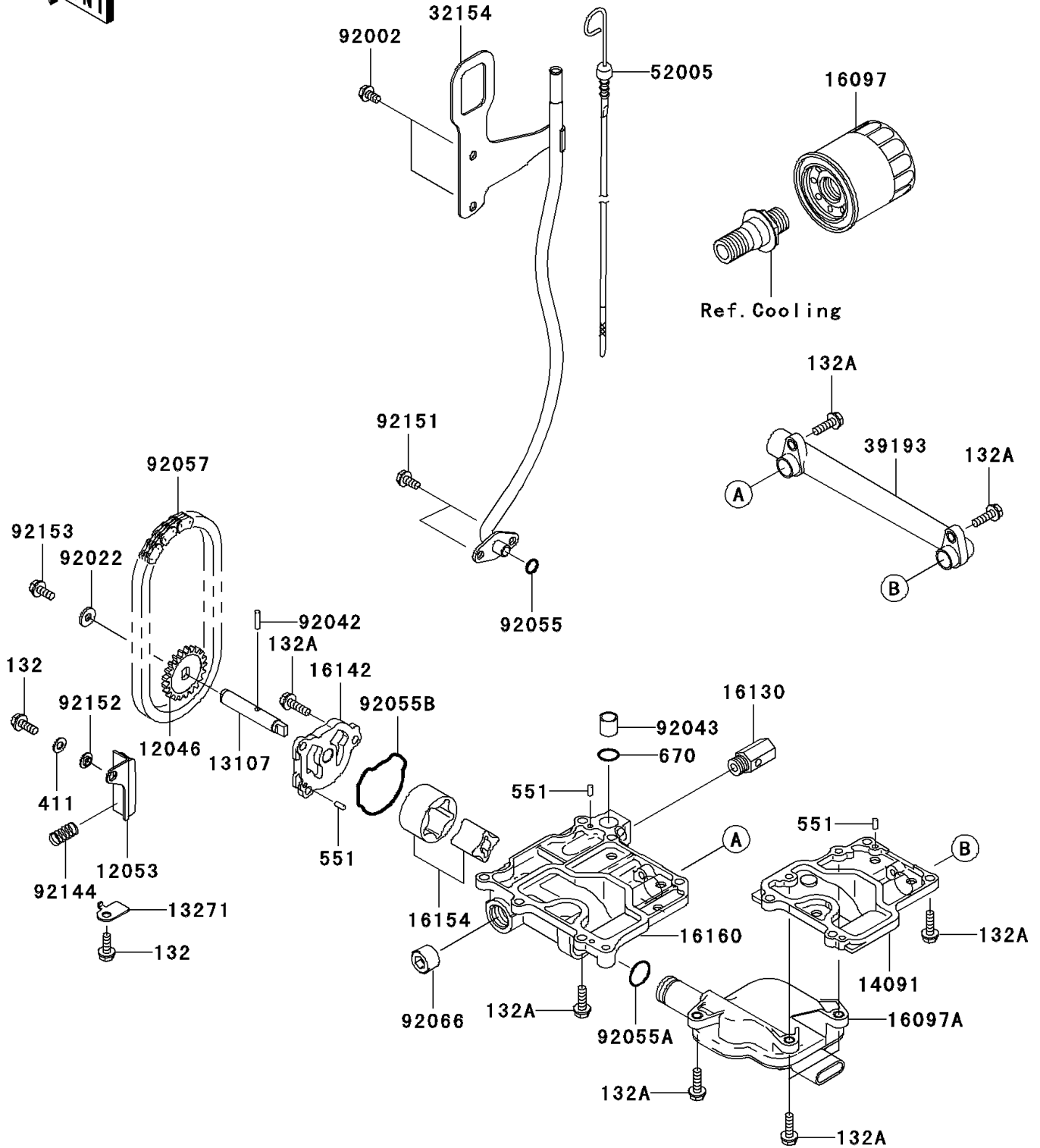


2005 STX-12F PARTS DIAGRAM

Oil Pump

E1710



2005 STX-12F PARTS LIST

Oil Pump

| ITEM NAME | PART NUMBER | QUANTITY |
|--------------------------------------|-------------|----------|
| SPROCKET,23T (Ref # 12046) | 12046-3701 | 1 |
| GUIDE-CHAIN (Ref # 12053) | 12053-3704 | 1 |
| SHAFT (Ref # 13107) | 13107-3782 | 1 |
| PLATE (Ref # 13271) | 13271-3850 | 1 |
| COVER,OIL PUMP (Ref # 14091) | 14091-3767 | 1 |
| FILTER-ASSY-OIL (Ref # 16097) | 16097-1072 | 1 |
| FILTER-ASSY-OIL (Ref # 16097A) | 16097-3702 | 1 |
| VALVE-ASSY-RELIEF (Ref # 16130) | 16130-3701 | 1 |
| COVER-PUMP (Ref # 16142) | 16142-3703 | 1 |
| ROTOR-PUMP (Ref # 16154) | 16154-1124 | 1 |
| BODY,OIL PUMP (Ref # 16160) | 16160-3748 | 1 |
| PIPE,OIL LEVEL (Ref # 32154) | 32154-3707 | 1 |
| PIPE-OIL (Ref # 39193) | 39193-3702 | 1 |
| GAUGE,OIL LEVEL (Ref # 52005) | 52005-3709 | 1 |
| BOLT,6X12 (Ref # 92002) | 92002-3763 | 2 |
| WASHER,6.5X16X2 (Ref # 92022) | 92022-1565 | 1 |
| PIN,DOWEL,4X15.8 (Ref # 92042) | 92042-014 | 1 |
| PIN,11.5X14X14 (Ref # 92043) | 92043-1279 | 1 |
| RING-O,10MM (Ref # 92055) | 92055-1150 | 1 |
| RING-O,19.8X1.9 (Ref # 92055A) | 92055-1332 | 1 |
| RING-O (Ref # 92055B) | 92055-3764 | 1 |
| CHAIN,OIL PUMP (Ref # 92057) | 92057-3710 | 1 |
| PLUG,PT1/2X12.5 (Ref # 92066) | 92066-0002 | 1 |
| SPRING (Ref # 92144) | 92144-1551 | 1 |
| BOLT,6X14 (Ref # 92151) | 92151-3788 | 2 |
| COLLAR,GUIDE (Ref # 92152) | 92152-3737 | 1 |
| BOLT,6X14 (Ref # 92153) | 92153-3717 | 1 |
| BOLT-FLANGED-SMALL,6X16 (Ref # 132) | 132Y0616 | 2 |
| BOLT-FLANGED-SMALL,6X20 (Ref # 132A) | 132Y0620 | 18 |

2005 STX-12F PARTS LIST

Oil Pump

| ITEM NAME | PART NUMBER | QUANTITY |
|------------------------------|-------------|----------|
| WASHER-PLAIN,6MM (Ref # 411) | 411S0600 | 1 |
| PIN-DOWEL (Ref # 551) | 551R0408 | 5 |
| O RING,14MM (Ref # 670) | 670D2014 | 1 |