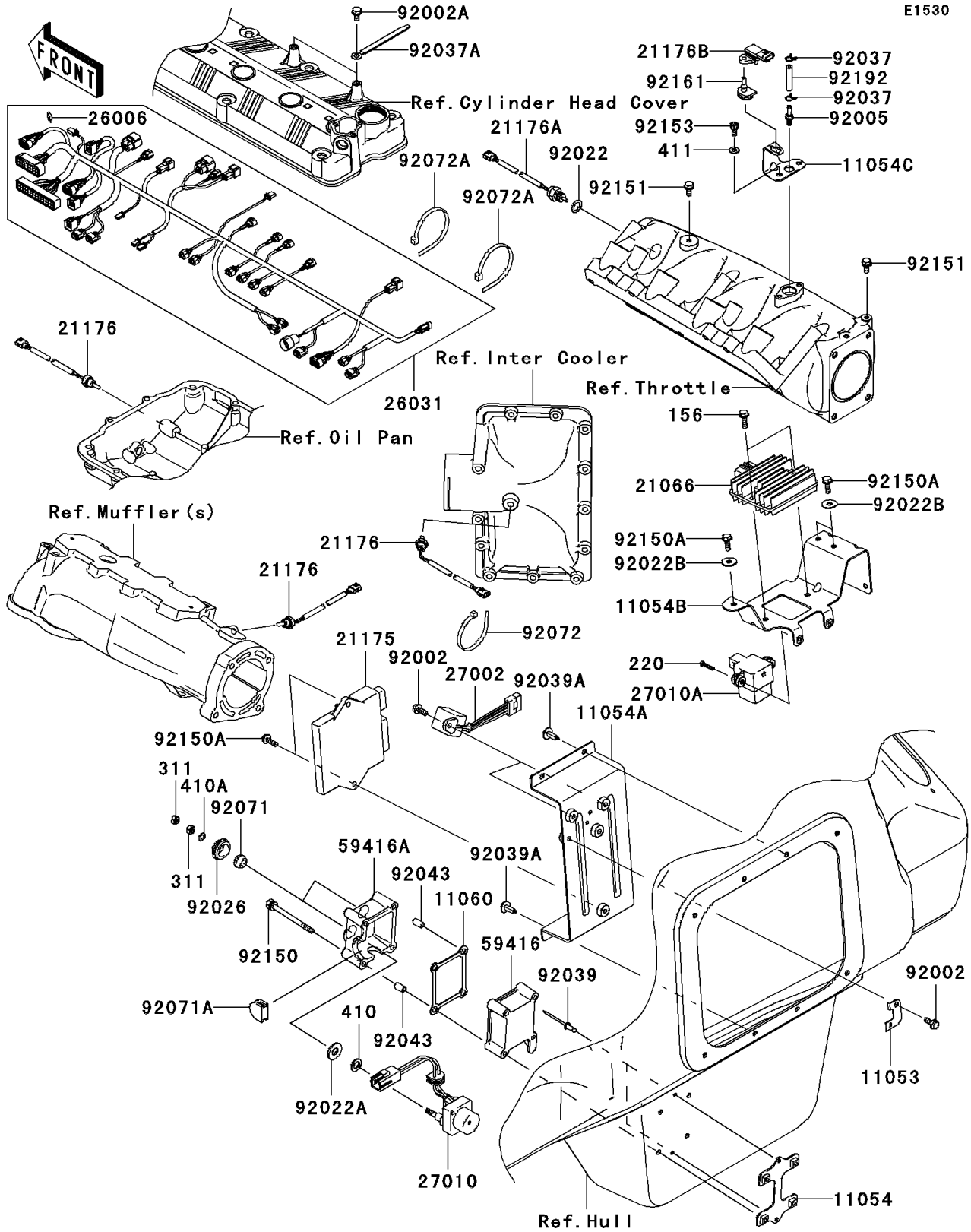


# 2010 Jet Ski® Ultra® 260LX PARTS DIAGRAM

Fuel Injection

E1530



## 2010 Jet Ski® Ultra® 260LX PARTS LIST

### Fuel Injection

ITEM NAME	PART NUMBER	QUANTITY
BRACKET,FUSE (Ref # 11053)	11053-3724	1
BRACKET,SWITCH (Ref # 11054)	11054-3742	1
BRACKET,ECU&RELAY (Ref # 11054A)	11054-3743	1
BRACKET,REGULATOR&VDS (Ref # 11054B)	11054-3749	1
BRACKET (Ref # 11054C)	11054-3750	1
GASKET (Ref # 11060)	11060-3709	1
REGULATOR-VOLTAGE (Ref # 21066)	21066-3718	1
CONTROL UNIT-ELECTRONIC (Ref # 21175)	21175-3741	1
SENSOR,TEMP (Ref # 21176)	21176-3758	3
SENSOR,AIR TEMPERATURE (Ref # 21176A)	21176-3767	1
SENSOR,BOOST (Ref # 21176B)	21176-3768	1
FUSE,20A (Ref # 26006)	26006-3704	1
HARNESS,ENGINE (Ref # 26031)	26031-3725	1
RELAY-ASSY (Ref # 27002)	27002-3703	2
SWITCH (Ref # 27010)	27010-3777	1
SWITCH,VDS (Ref # 27010A)	27010-3785	1
CASE-ELECTRIC (Ref # 59416)	59416-3765	1
CASE-ELECTRIC (Ref # 59416A)	59416-3766	1
BOLT,6X16 (Ref # 92002)	92002-3728	3
BOLT,6X12 (Ref # 92002A)	92002-3763	2
FITTING (Ref # 92005)	92005-0056	1
WASHER,12X18X1.0 (Ref # 92022)	92022-1211	1
WASHER (Ref # 92022A)	92022-3035	2
WASHER,6.5X20X1.5 (Ref # 92022B)	92022-3710	3
SPACER (Ref # 92026)	92026-3703	2
CLAMP,TUBE (Ref # 92037)	92037-3025	2
CLAMP,L=100 (Ref # 92037A)	92037-3736	2
RIVET (Ref # 92039)	92039-3714	2
RIVET (Ref # 92039A)	92039-3785	4

## 2010 Jet Ski® Ultra® 260LX PARTS LIST

### Fuel Injection

ITEM NAME	PART NUMBER	QUANTITY
PIN (Ref # 92043)	92043-3715	2
GROMMET (Ref # 92071)	92071-3004	2
GROMMET (Ref # 92071A)	92071-3837	1
BAND,L=188.85 (Ref # 92072)	92072-0105	1
BAND,L=372.24 (Ref # 92072A)	92072-3883	2
BOLT,6X80 (Ref # 92150)	92150-3711	4
BOLT,6X18 (Ref # 92150A)	92150-3729	5
BOLT,6X14 (Ref # 92151)	92151-3788	2
BOLT,SOCKET,6X12 (Ref # 92153)	92153-1525	2
DAMPER (Ref # 92161)	92161-0041	1
TUBE,3.5X8X38.5 (Ref # 92192)	92192-3823	1
BOLT-WP,6X20 (Ref # 156)	156R0620	2
SCREW-PAN-CROSS,4X20 (Ref # 220)	220R0420	2
NUT-HEX,6MM (Ref # 311)	311R0600	4
WASHER-PLAIN-SMALL,10MM (Ref # 410)	410AA1000	2
WASHER-PLAIN-SMALL,6MM (Ref # 410A)	410S0600	2
WASHER-PLAIN,6MM (Ref # 411)	411S0600	2