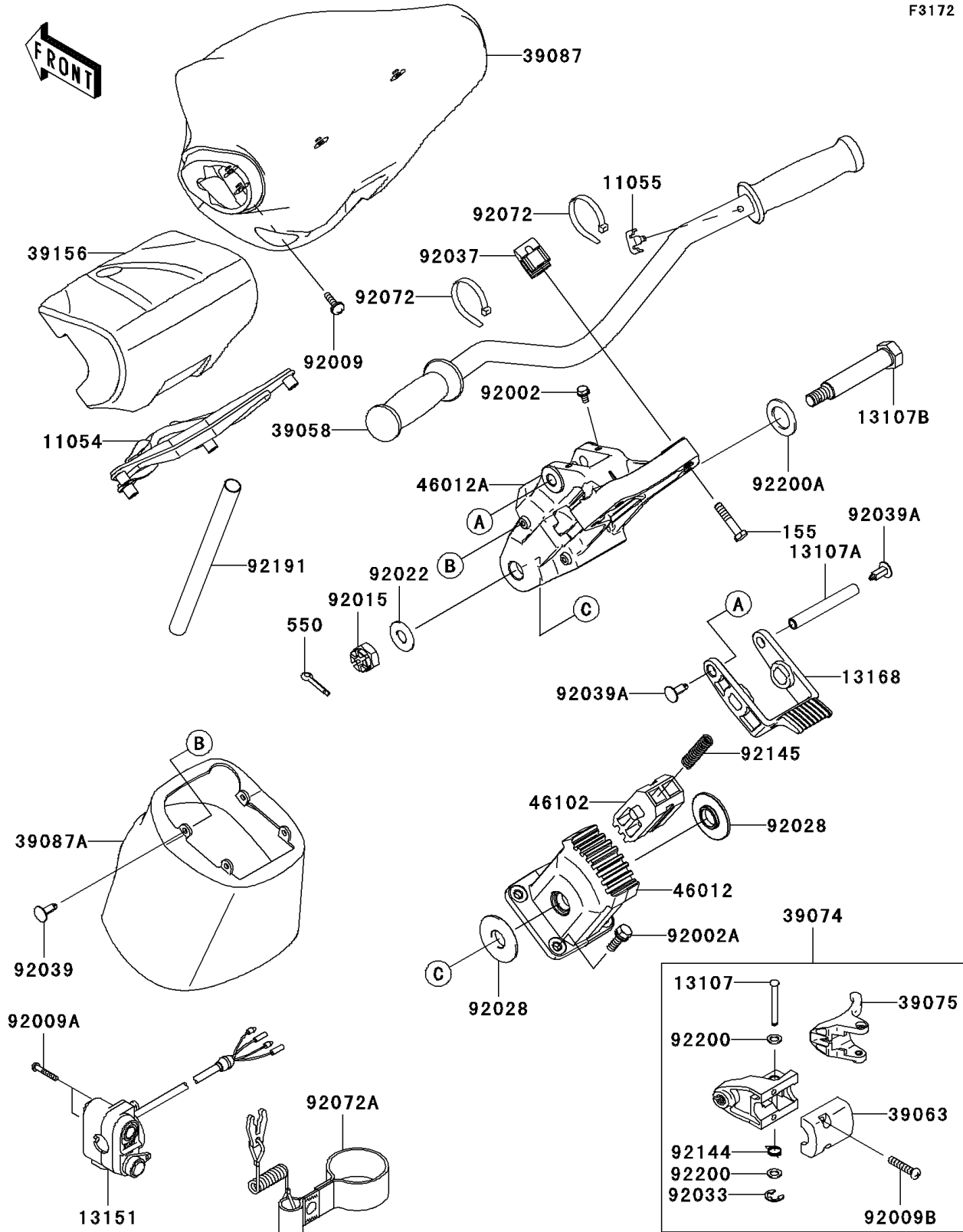


2011 Ultra LX PARTS DIAGRAM

Handlebar

F3172



2011 Ultra LX PARTS LIST

Handlebar

ITEM NAME	PART NUMBER	QUANTITY
BRACKET,HANDLE PAD (Ref # 11054)	11054-3710	1
BRACKET,THROTTLE LEVER (Ref # 11055)	11055-3709	1
SHAFT (Ref # 13107)	13107-3740	1
SHAFT (Ref # 13107A)	13107-3795	1
SHAFT,HANDLE HOLDER PIVOT (Ref # 13107B)	13107-3803	1
SWITCH-COMP,STOP&START (Ref # 13151)	13151-3722	1
LEVER (Ref # 13168)	13168-3754	1
HANDLE-COMP,F.BLACK (Ref # 39058)	39058-3744-6Z	1
HOUSING-CONTROL (Ref # 39063)	39063-3727	1
LEVER-ASSY-THROTTLE (Ref # 39074)	39074-3726	1
LEVER-THROTTLE (Ref # 39075)	39075-3714	1
PAD-HANDLE,F.BLACK (Ref # 39087)	39087-3735-6Z	1
PAD-HANDLE,F.BLACK (Ref # 39087A)	39087-3737-6Z	1
PAD,HANDLE (Ref # 39156)	39156-3845	1
HOLDER-HANDLE,LWR (Ref # 46012)	46012-3730	1
HOLDER-HANDLE,UPP (Ref # 46012A)	46012-3732	1
ROD,HANDLE POSITION (Ref # 46102)	46102-3733	1
BOLT,6X12 (Ref # 92002)	92002-3763	2
BOLT,8X25 (Ref # 92002A)	92002-3774	4
SCREW,6X20 (Ref # 92009)	92009-3781	4
SCREW,5X30 (Ref # 92009A)	92009-3836	2
SCREW,6X30 (Ref # 92009B)	92009-3837	2
NUT,CASTLE,14MM (Ref # 92015)	92015-3805	1
WASHER,15X34X2.0 (Ref # 92022)	92022-3738	1
BUSHING (Ref # 92028)	92028-3743	2
RING-SNAP (Ref # 92033)	92033-3723	1
CLAMP,HANDLEBAR (Ref # 92037)	92037-503	2
RIVET (Ref # 92039)	92039-3787	4
RIVET (Ref # 92039A)	92039-3788	2

2011 Ultra LX PARTS LIST

Handlebar

ITEM NAME	PART NUMBER	QUANTITY
BAND,L=188.85 (Ref # 92072)	92072-0105	2
BAND,TETHER SWITCH (Ref # 92072A)	92072-3816	1
SPRING (Ref # 92144)	92144-3749	1
SPRING (Ref # 92145)	92145-3723	2
TUBE,22X24X200 (Ref # 92191)	92191-3792	1
WASHER (Ref # 92200)	92200-3738	2
WASHER,21X34X2 (Ref # 92200A)	92200-3802	1
BOLT-WSP-SMALL,8X50 (Ref # 155)	155R0850	4
PIN-COTTER,3X35 (Ref # 550)	550S3035	1