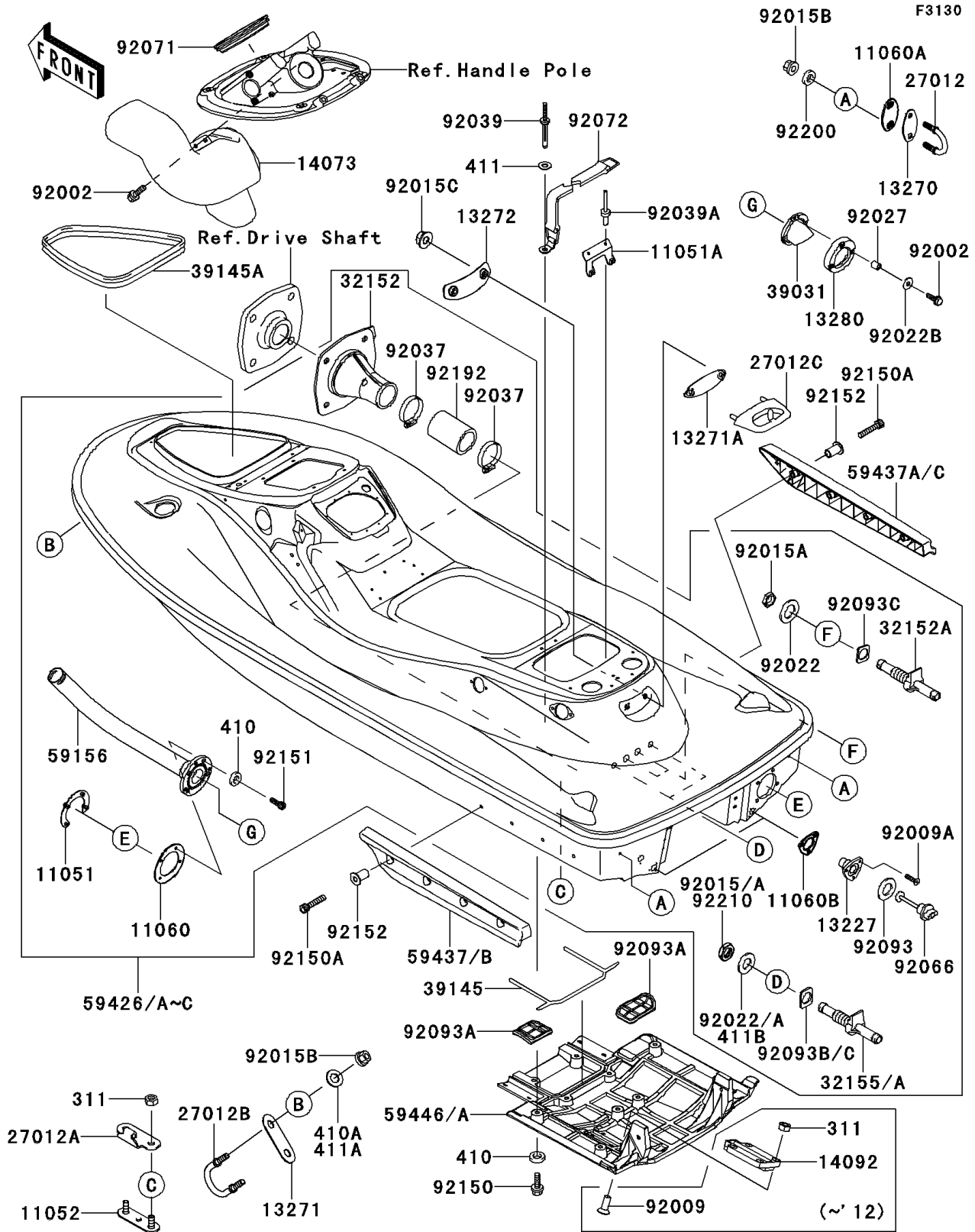


2013 JET SKI® STX®-15F PARTS DIAGRAM

Hull



2013 JET SKI® STX®-15F PARTS LIST

Hull

ITEM NAME	PART NUMBER	QUANTITY
BRACKET (Ref # 11051)	11051-3731	1
BRACKET,BREATHER-BILGE (Ref # 11051A)	11051-3802	1
BRACKET,RR DUCT (Ref # 11052)	11052-3712	1
GASKET (Ref # 11060)	11060-3781	1
GASKET,U HOOK,RR (Ref # 11060A)	11060-3800	2
GASKET,DRAIN PLUG (Ref # 11060B)	11060-3801	2
HOUSING,DRAIN PLUG,F.BLACK (Ref # 13227)	13227-3721-6Z	2
PLATE (Ref # 13270)	13270-3860	2
PLATE (Ref # 13271)	13271-3724	1
PLATE (Ref # 13271A)	13271-3889	1
PLATE,REAR TOWING HOOK (Ref # 13272)	13272-3702	1
HOLDER,EXHAUST VALVE (Ref # 13280)	13280-3718	1
DUCT (Ref # 14073)	14073-3801	1
HOOK (Ref # 27012)	27012-3797	2
HOOK (Ref # 27012A)	27012-3816	1
HOOK (Ref # 27012B)	27012-3821	1
HOOK,REAR TOWING,F.BLACK (Ref # 27012C)	27012-3836-6Z	1
PIPE,DRIVE SHAFT (Ref # 32152)	32152-3703	1
PIPE (Ref # 32152A)	32152-3749	2
PIPE,COOLING (Ref # 32155A)	32155-3702	2
CAP-END (Ref # 39031)	39031-3704	1
TRIM-SEAL,JET PUMP COVER (Ref # 39145)	39145-3768	1
TRIM-SEAL,L=1412 (Ref # 39145A)	39145-3787	1
PIPE-TAIL (Ref # 59156)	59156-3740	1
HULL-COMP,BLACK/WHITE (Ref # 59426B)	59426-0065-43B	1
STABILIZER,LH,F.BLACK (Ref # 59437B)	59437-3745-6Z	1
STABILIZER,RH,F.BLACK (Ref # 59437C)	59437-3746-6Z	1
COVER-JET PUMP (Ref # 59446)	59446-0078	1
BOLT,6X20 (Ref # 92002)	92002-3755	5

2013 JET SKI® STX®-15F PARTS LIST

Hull

ITEM NAME	PART NUMBER	QUANTITY
SCREW,TAPPING,4X16 (Ref # 92009A)	92009-3849	6
NUT,16MM (Ref # 92015)	92015-1477	2
NUT,20MM (Ref # 92015A)	92015-1589	2
NUT,FLANGED,8MM (Ref # 92015B)	92015-1933	6
NUT,FLANGED,8MM (Ref # 92015C)	92015-3709	2
WASHER,20.3X36X2.3 (Ref # 92022)	92022-1116	2
WASHER,17.3X30X2.3 (Ref # 92022A)	92022-1903	2
WASHER (Ref # 92022B)	92022-567	3
COLLAR,6.2X10X10 (Ref # 92027)	92027-3705	3
CLAMP (Ref # 92037)	92037-3009	2
RIVET (Ref # 92039)	92039-3741	1
RIVET (Ref # 92039A)	92039-3755	2
PLUG,RR,DRAIN,F.BLACK (Ref # 92066)	92066-3783-6Z	2
GROMMET (Ref # 92071)	92071-3812	1
BAND,314X18 (Ref # 92072)	92072-3814	1
SEAL (Ref # 92093)	92093-3720	2
SEAL (Ref # 92093A)	92093-3765	2
SEAL (Ref # 92093B)	92093-3783	2
SEAL (Ref # 92093C)	92093-3784	2
BOLT,SOCKET,6X18 (Ref # 92150)	92150-3775	10
BOLT,SOCKET,6X30 (Ref # 92150A)	92150-3822	8
BOLT,SOCKET,6X20 (Ref # 92151)	92151-3774	4
COLLAR (Ref # 92152)	92152-3715	8
TUBE,39X51X90 (Ref # 92192)	92192-3845	1
WASHER (Ref # 92200)	92200-3779	4
NUT-HEX,6MM (Ref # 311)	311R0600	2
WASHER-PLAIN-SMALL,6MM (Ref # 410)	410S0600	14
WASHER-PLAIN,5MM (Ref # 411)	411S0500	1
WASHER-PLAIN,8MM (Ref # 411A)	411S0800	2