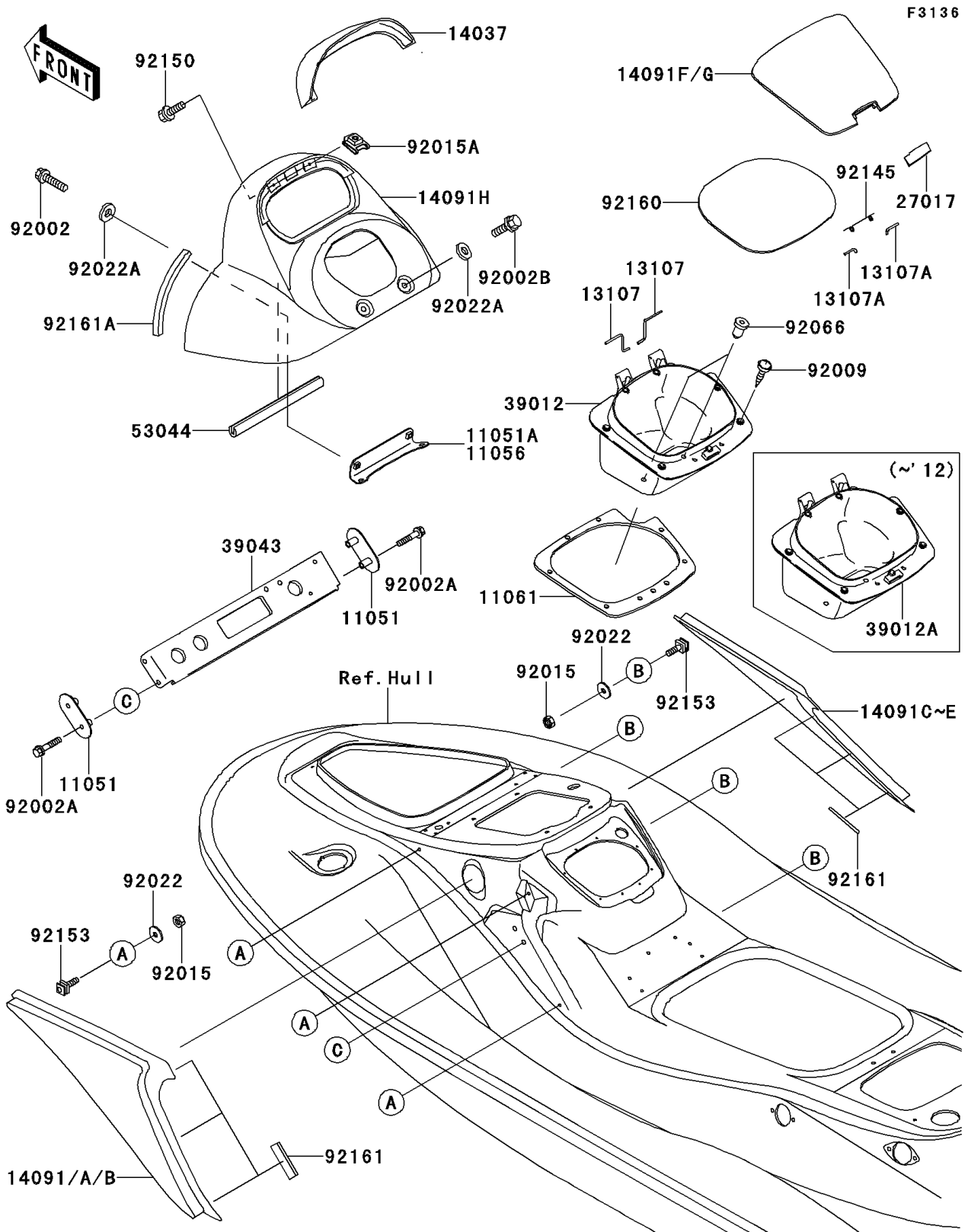


# 2013 STX-15F PARTS DIAGRAM

Hull Middle Fittings(ABF-AEF)



## 2013 STX-15F PARTS LIST

Hull Middle Fittings(ABF-AEF)

| ITEM NAME                                   | PART NUMBER    | QUANTITY |
|---|----------------|----------|
| BRACKET,CROSSMEMBER (Ref # 11051)           | 11051-3782     | 2        |
| BRACKET (Ref # 11056)                       | 11056-3719     | 1        |
| GASKET,CASE-STORAGE (Ref # 11061)           | 11061-0855     | 1        |
| SHAFT (Ref # 13107)                         | 13107-3761     | 2        |
| SHAFT (Ref # 13107A)                        | 13107-3769     | 2        |
| SCREEN,METER,F.S.BLACK (Ref # 14037)        | 14037-3709-378 | 1        |
| COVER,SIDE,LH,G.SILVER (Ref # 14091)        | 14091-3708-F2  | 1        |
| COVER,SIDE,RH,G.SILVER (Ref # 14091C)       | 14091-3709-F2  | 1        |
| COVER,CENTER STORAGE,J.WHITE (Ref # 14091G) | 14091-3710-8C  | 1        |
| COVER,HANDLE,F.S.BLACK (Ref # 14091H)       | 14091-3770-378 | 1        |
| LOCK,CENTER STORAGE (Ref # 27017)           | 27017-3725     | 1        |
| CASE-STORAGE (Ref # 39012)                  | 39012-0033     | 1        |
| CROSSMEMBER-COMP (Ref # 39043)              | 39043-3703     | 1        |
| TRIM,L=180 (Ref # 53044)                    | 53044-3755     | 1        |
| BOLT,6X25 (Ref # 92002)                     | 92002-3714     | 2        |
| BOLT,6X30 (Ref # 92002A)                    | 92002-3726     | 4        |
| BOLT,6X12 (Ref # 92002B)                    | 92002-3763     | 2        |
| SCREW,TAPPING,5X20 (Ref # 92009)            | 92009-3716     | 8        |
| NUT,LOCK,5MM (Ref # 92015)                  | 92015-3798     | 6        |
| NUT,CLIP,5MM (Ref # 92015A)                 | 92015-3830     | 2        |
| WASHER,5X16X1.5 (Ref # 92022)               | 92022-3041     | 6        |
| WASHER,6.5X20X1.5 (Ref # 92022A)            | 92022-3710     | 4        |
| PLUG (Ref # 92066)                          | 92066-3773     | 2        |
| SPRING (Ref # 92145)                        | 92145-3711     | 1        |
| BOLT,5X16 (Ref # 92150)                     | 92150-3778     | 2        |
| BOLT,5MM (Ref # 92153)                      | 92153-3703     | 6        |
| DAMPER (Ref # 92160)                        | 92160-3933     | 1        |
| DAMPER (Ref # 92161)                        | 92161-3756     | 6        |
| DAMPER (Ref # 92161A)                       | 92161-3757     | 2        |