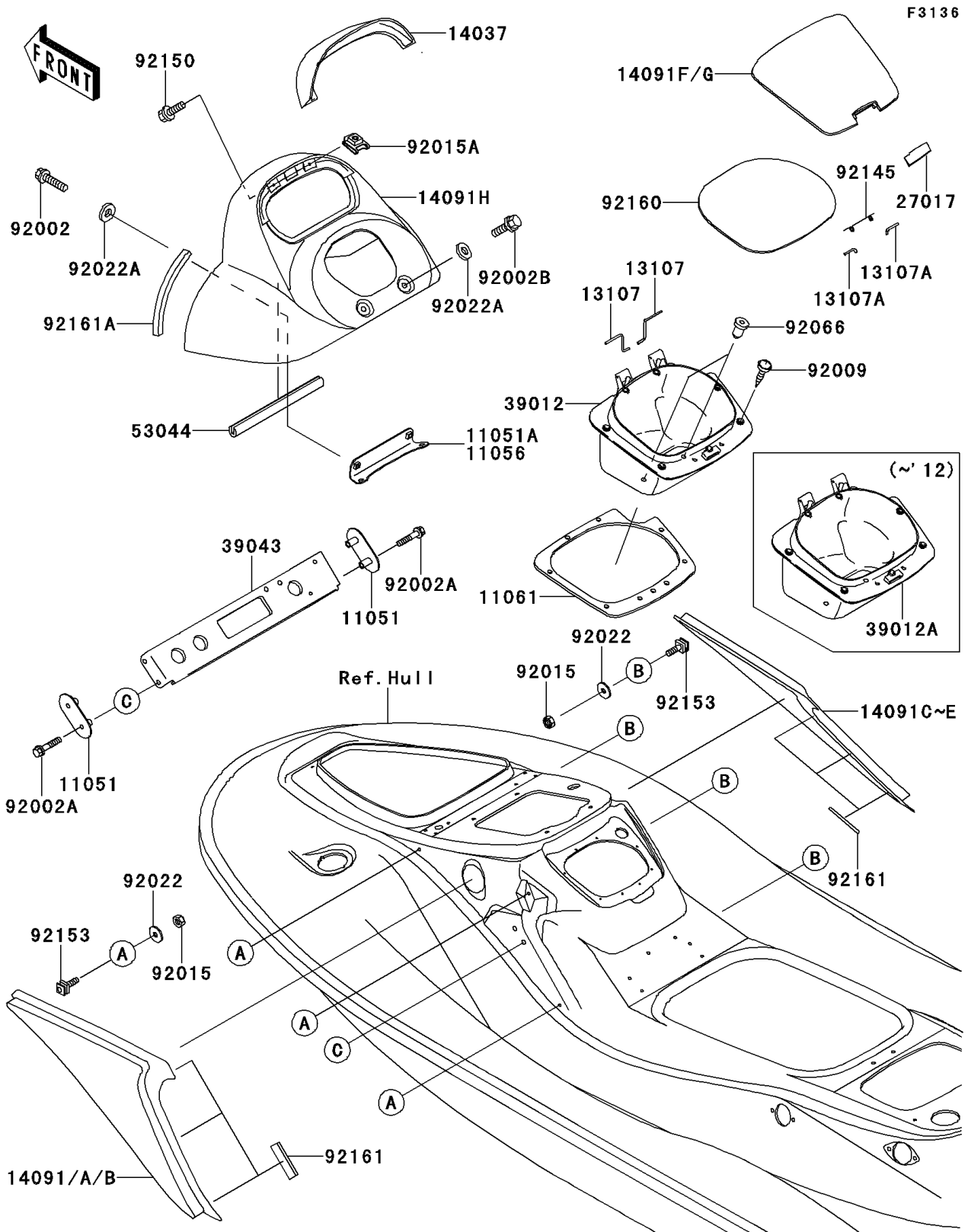


2014 JET SKI® STX®-15F PARTS DIAGRAM

Hull Middle Fittings(ABF-AEF)



2014 JET SKI® STX®-15F PARTS LIST

Hull Middle Fittings(ABF-AEF)

| ITEM NAME | PART NUMBER | QUANTITY |
|---|----------------|----------|
| BRACKET,CROSSMEMBER (Ref # 11051) | 11051-3782 | 2 |
| BRACKET (Ref # 11056) | 11056-3719 | 1 |
| GASKET,CASE-STORAGE (Ref # 11061) | 11061-0855 | 1 |
| SHAFT (Ref # 13107) | 13107-3761 | 2 |
| SHAFT (Ref # 13107A) | 13107-3769 | 2 |
| SCREEN,METER,F.S.BLACK (Ref # 14037) | 14037-3709-378 | 1 |
| COVER,SIDE,LH,EBONY (Ref # 14091A) | 14091-3708-H8 | 1 |
| COVER,SIDE,RH,EBONY (Ref # 14091D) | 14091-3709-H8 | 1 |
| COVER,CENTER STORAGE,EBONY (Ref # 14091F) | 14091-3710-H8 | 1 |
| COVER,HANDLE,F.S.BLACK (Ref # 14091H) | 14091-3770-378 | 1 |
| LOCK,CENTER STORAGE (Ref # 27017) | 27017-3725 | 1 |
| CASE-STORAGE (Ref # 39012) | 39012-0033 | 1 |
| CROSSMEMBER-COMP (Ref # 39043) | 39043-3703 | 1 |
| TRIM,L=180 (Ref # 53044) | 53044-3755 | 1 |
| BOLT,6X25 (Ref # 92002) | 92002-3714 | 2 |
| BOLT,6X30 (Ref # 92002A) | 92002-3726 | 4 |
| BOLT,6X12 (Ref # 92002B) | 92002-3763 | 2 |
| SCREW,TAPPING,5X20 (Ref # 92009) | 92009-3716 | 8 |
| NUT,LOCK,5MM (Ref # 92015) | 92015-3798 | 6 |
| NUT,CLIP,5MM (Ref # 92015A) | 92015-3830 | 2 |
| WASHER,5X16X1.5 (Ref # 92022) | 92022-3041 | 6 |
| WASHER,6.5X20X1.5 (Ref # 92022A) | 92022-3710 | 4 |
| PLUG (Ref # 92066) | 92066-3773 | 2 |
| SPRING (Ref # 92145) | 92145-3711 | 1 |
| BOLT,5X16 (Ref # 92150) | 92150-3778 | 2 |
| BOLT,5MM (Ref # 92153) | 92153-3703 | 6 |
| DAMPER (Ref # 92160) | 92160-3933 | 1 |
| DAMPER (Ref # 92161) | 92161-3756 | 6 |
| DAMPER (Ref # 92161A) | 92161-3757 | 2 |