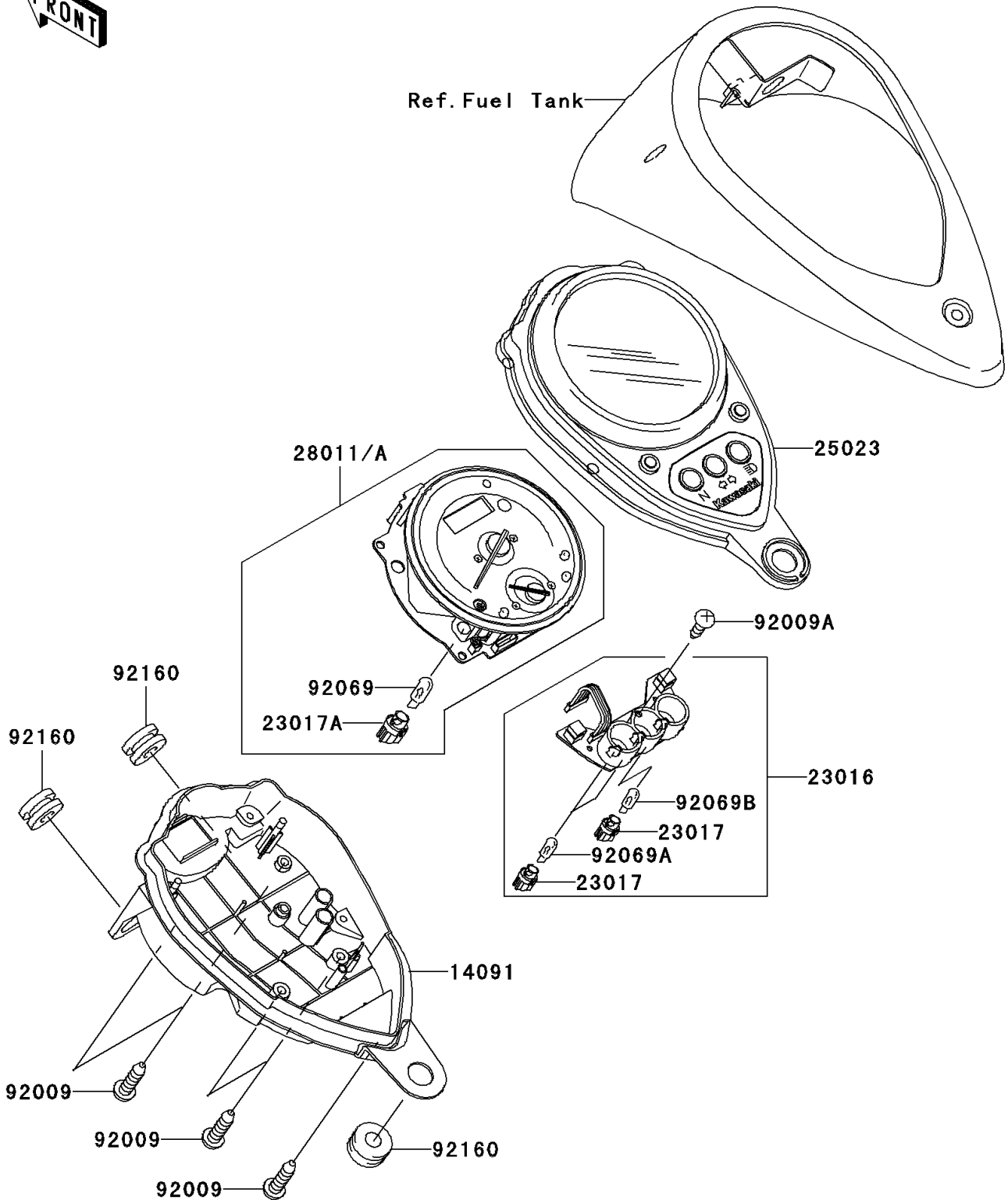


# 2005 Vulcan 1500 Classic PARTS DIAGRAM

Meter(s)

F2530



# 2005 Vulcan 1500 Classic PARTS LIST

Meter(s)

ITEM NAME	PART NUMBER	QUANTITY
-----------	-------------	----------