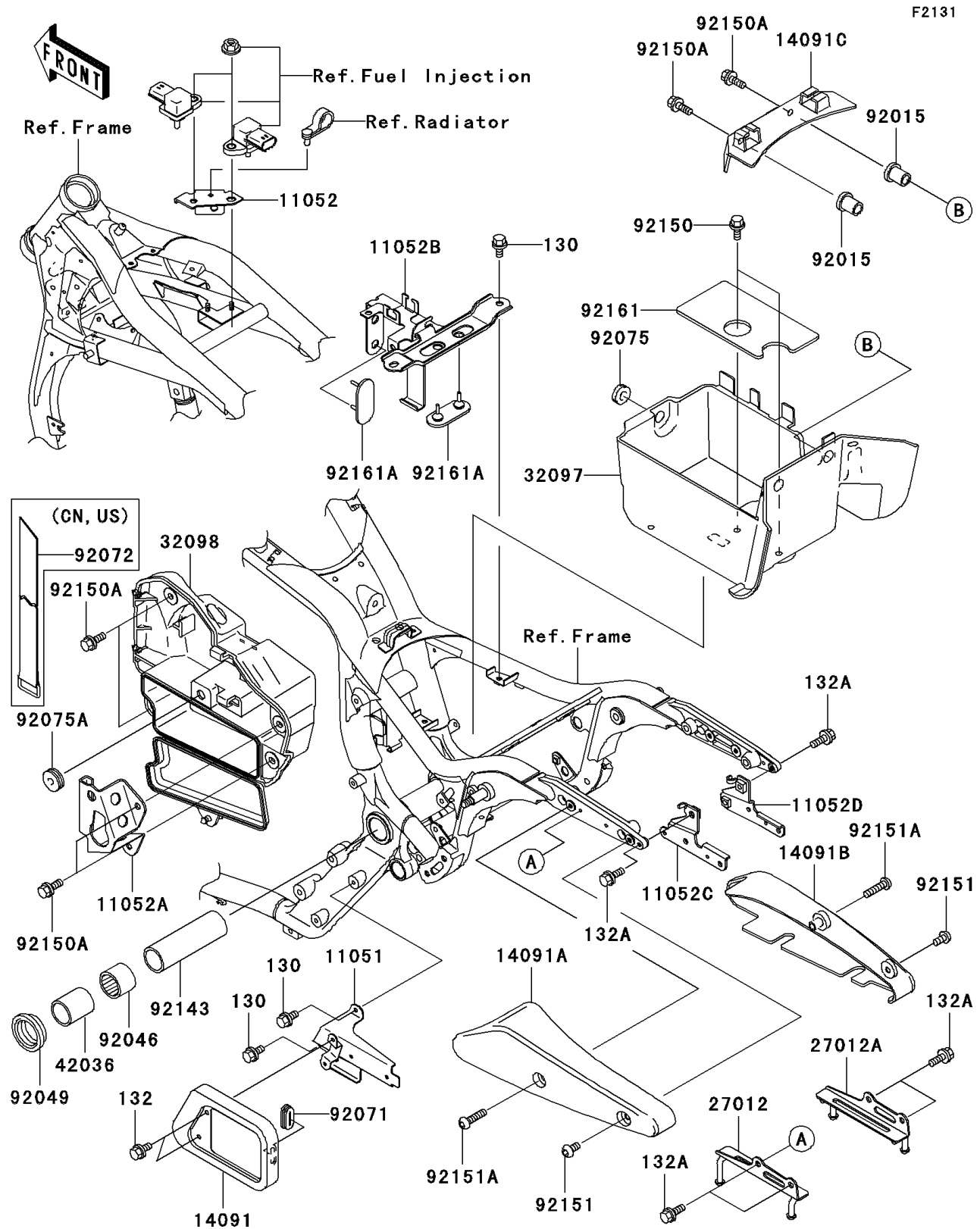


2003 Vulcan 1500 Mean Streak PARTS DIAGRAM

Frame Fittings



2003 Vulcan 1500 Mean Streak PARTS LIST

Frame Fittings

| ITEM NAME | PART NUMBER | QUANTITY |
|--|-------------|----------|
| BOLT-FLANGED (Ref # 130) | 130J0612 | 4 |
| BOLT-FLANGED-SMALL (Ref # 132) | 132J0612 | 2 |
| BOLT-FLANGED-SMALL (Ref # 132A) | 132J0616 | 6 |
| BRACKET,REGULATOR (Ref # 11051) | 11051-1163 | 1 |
| BRACKET (Ref # 11052) | 11052-1071 | 1 |
| BRACKET,SIDE COVER LOCK (Ref # 11052A) | 11052-1234 | 1 |
| BRACKET,BATTERY BAND (Ref # 11052B) | 11052-1281 | 1 |
| BRACKET,HELMET LOCK,LH (Ref # 11052C) | 11052-1282 | 1 |
| BRACKET,HELMET LOCK,RH (Ref # 11052D) | 11052-1283 | 1 |
| COVER,REGULATOR (Ref # 14091) | 14091-1079 | 1 |
| COVER,RR FENDER,LH (Ref # 14091A) | 14091-1361 | 1 |
| COVER,RR FENDER,RH (Ref # 14091B) | 14091-1363 | 1 |
| COVER,BATTERY CASE (Ref # 14091C) | 14091-1373 | 1 |
| HOOK,BUNGEE CORD,LH (Ref # 27012) | 27012-1609 | 1 |
| HOOK,BUNGEE CORD,RH (Ref # 27012A) | 27012-1610 | 1 |
| CASE-BATTERY (Ref # 32097) | 32097-1192 | 1 |
| CASE-TOOL (Ref # 32098) | 32098-1137 | 1 |
| SLEEVE,L=45 (Ref # 42036) | 42036-1330 | 2 |
| NUT (Ref # 92015) | 92015-1700 | 2 |
| BEARING-NEEDLE,BM2824 (Ref # 92046) | 92046-1202 | 2 |
| SEAL-OIL (Ref # 92049) | 92049-1181 | 2 |
| GROMMET (Ref # 92071) | 92071-1187 | 1 |
| DAMPER (Ref # 92075) | 92075-1067 | 1 |
| DAMPER (Ref # 92075A) | 92075-1629 | 1 |
| COLLAR,20.2X27X90 (Ref # 92143) | 92143-1878 | 1 |
| BOLT,6X14 (Ref # 92150) | 92150-1133 | 2 |
| BOLT,6X16 (Ref # 92150A) | 92150-1198 | 6 |
| BOLT,SOCKET,6X12 (Ref # 92151) | 92151-1940 | 2 |
| BOLT,SOCKET,6X25 (Ref # 92151A) | 92151-1945 | 2 |

2003 Vulcan 1500 Mean Streak PARTS LIST

Frame Fittings

| ITEM NAME | PART NUMBER | QUANTITY |
|------------------------------------|-------------|----------|
| DAMPER,BATTERY (Ref # 92161) | 92161-1097 | 1 |
| DAMPER,BATTERY BAND (Ref # 92161A) | 92161-1214 | 2 |
| BAND,L=470 (Ref # 92072) | 92072-1331 | 1 |