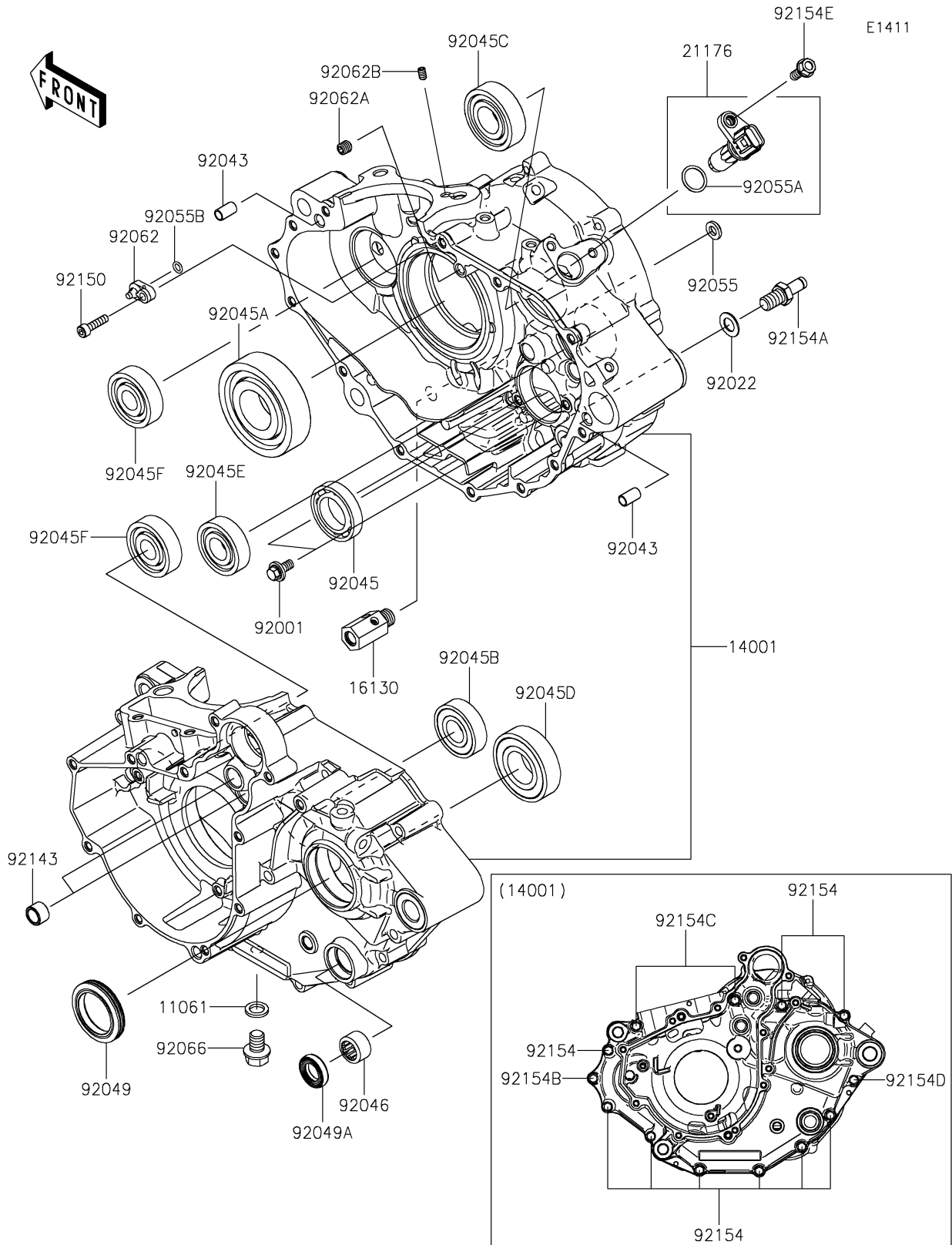


# 2022 KLX® 230 S PARTS DIAGRAM

## Crankcase



# 2022 KLX® 230 S PARTS LIST

Crankcase

ITEM NAME	PART NUMBER	QUANTITY
-----------	-------------	----------