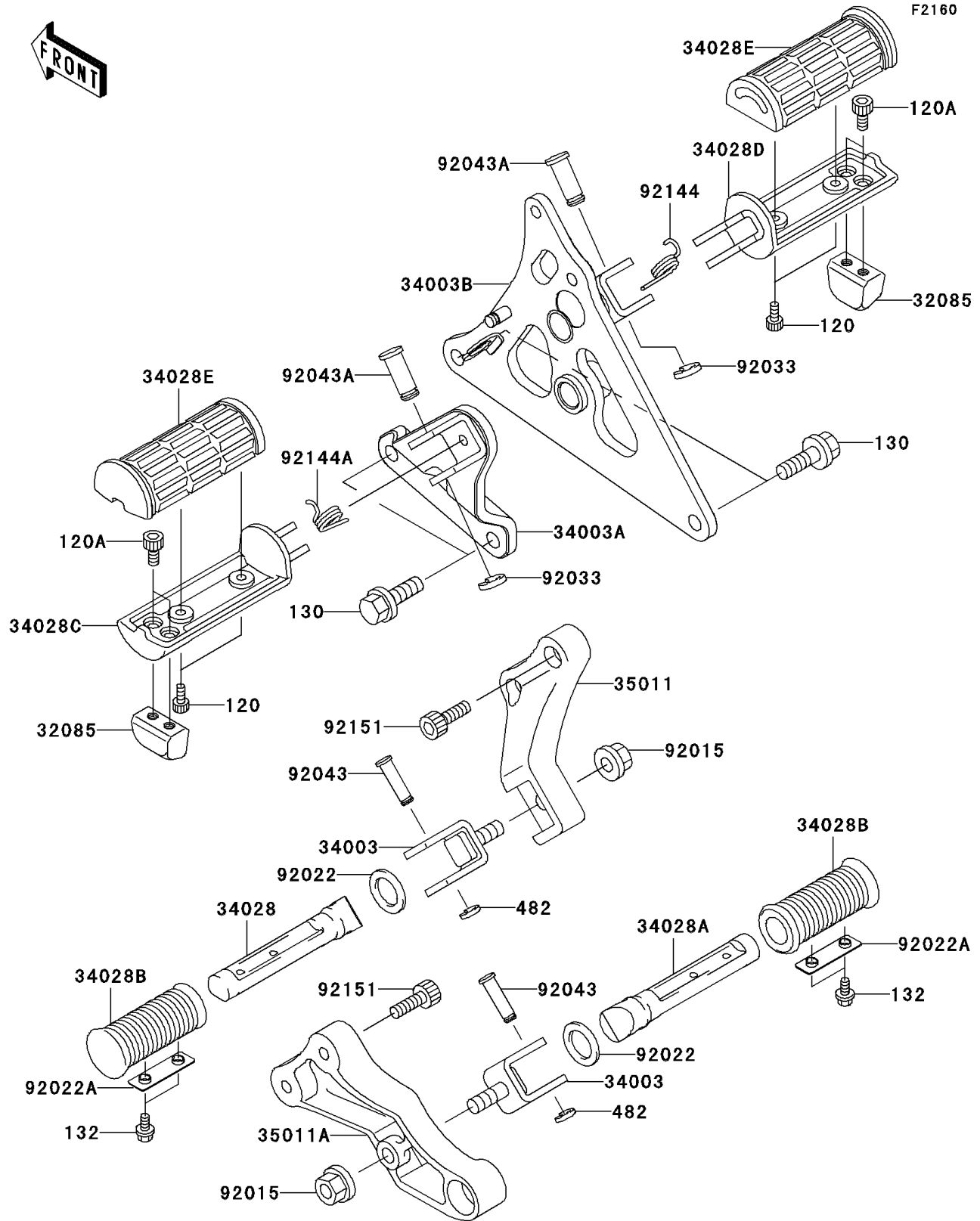


# 2002 Vulcan 1500 Mean Streak PARTS DIAGRAM

Footrests



# 2002 Vulcan 1500 Mean Streak PARTS LIST

Footrests

ITEM NAME	PART NUMBER	QUANTITY
-----------	-------------	----------