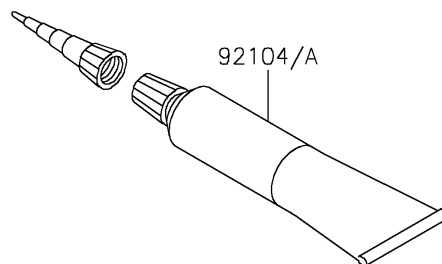
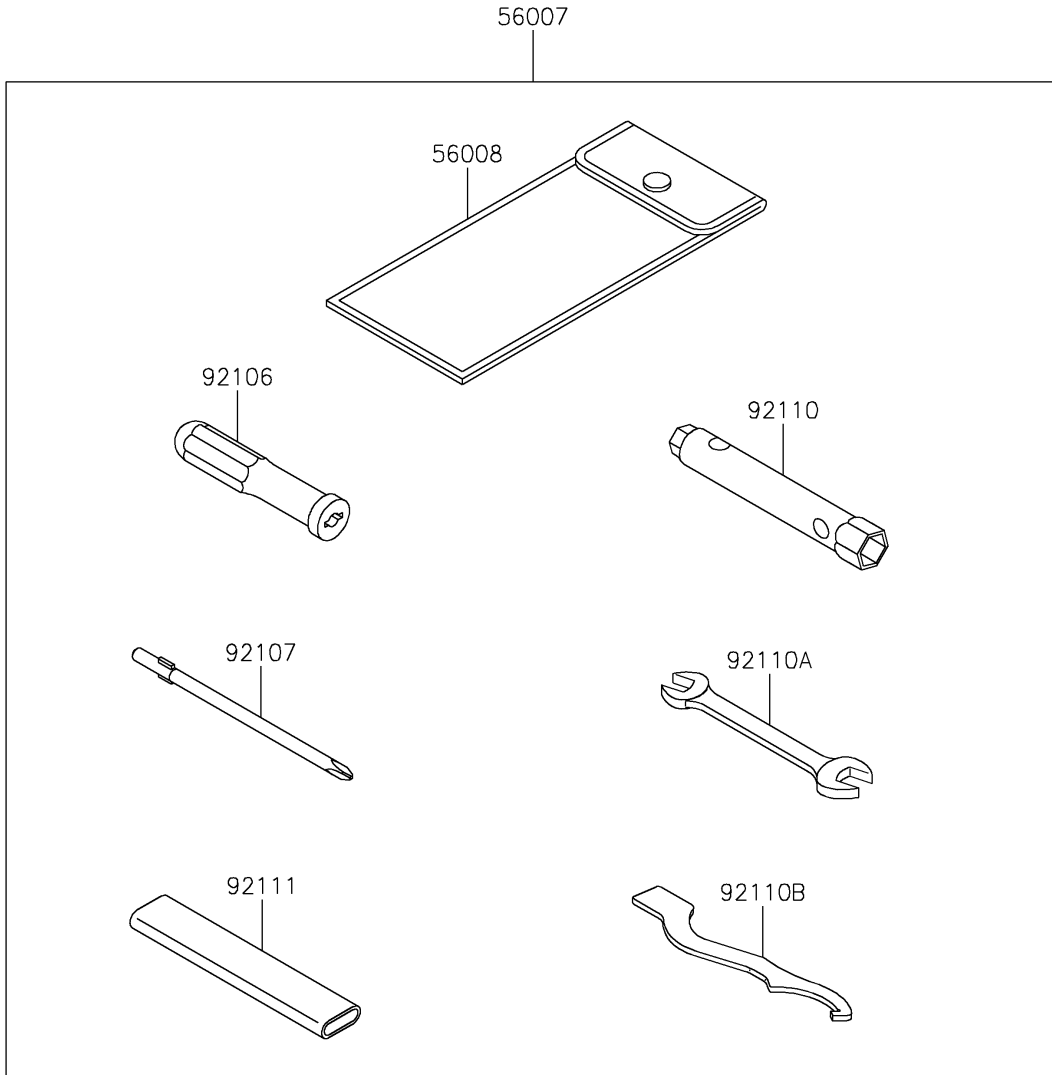


2022 KLX® 230 S PARTS DIAGRAM

Owner's Tools

F2810



2022 KLX® 230 S PARTS LIST

Owner's Tools

ITEM NAME	PART NUMBER	QUANTITY
-----------	-------------	----------