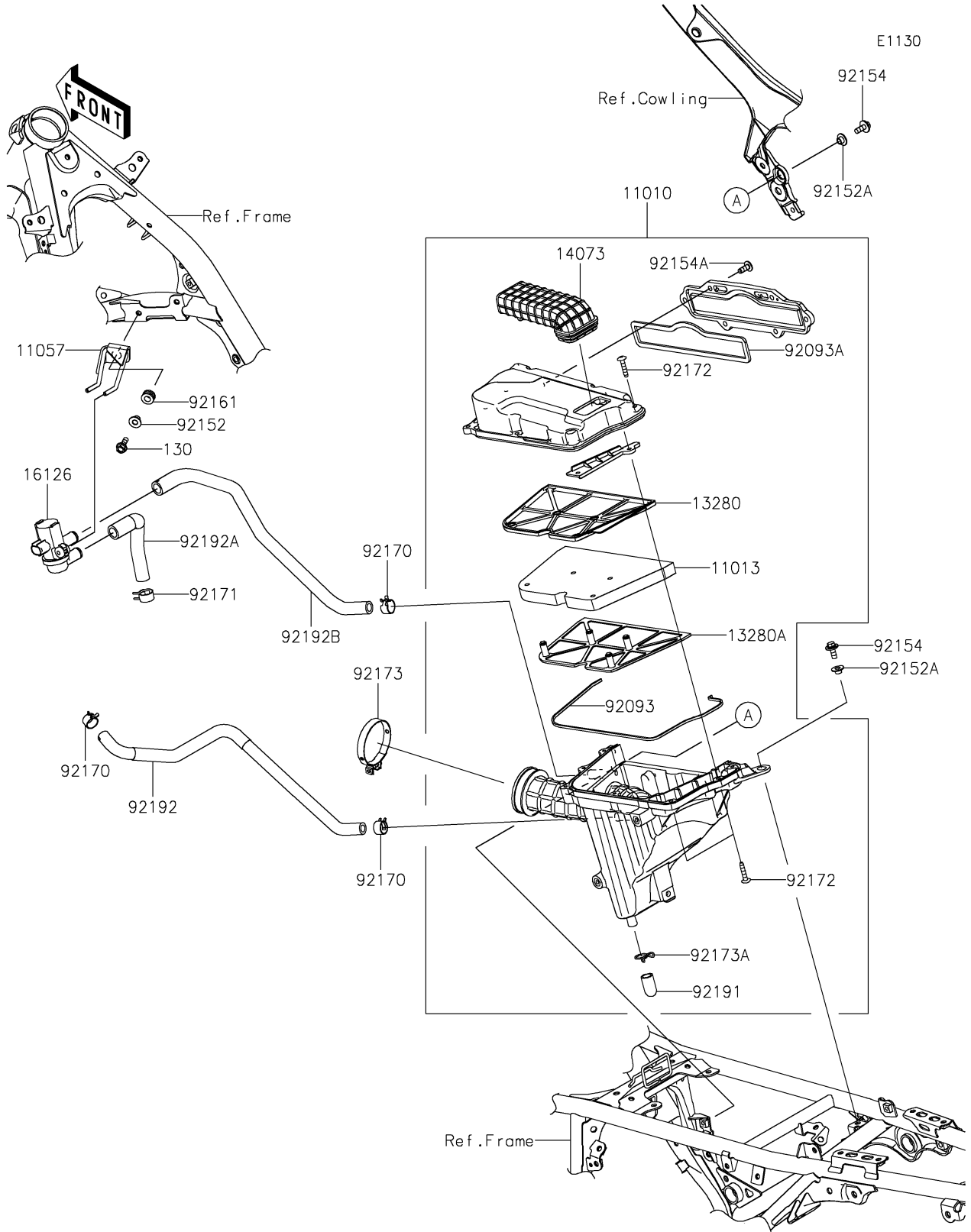


# 2022 KLX® 230 S PARTS DIAGRAM

## Air Cleaner



## 2022 KLX® 230 S PARTS LIST

### Air Cleaner

ITEM NAME	PART NUMBER	QUANTITY
FILTER-ASSY-AIR (Ref # 11010)	11010-0996	1
ELEMENT-AIR FILTER (Ref # 11013)	11013-0790	1
BRACKET,ASWV (Ref # 11057)	11057-2432	1
HOLDER,UPP (Ref # 13280)	13280-0945	1
HOLDER,LWR (Ref # 13280A)	13280-0946	1
DUCT,IN (Ref # 14073)	14073-0928	1
VALVE,AIR SWITCH (Ref # 16126)	16126-0750	1
SEAL (Ref # 92093)	92093-0727	1
SEAL (Ref # 92093A)	92093-0728	1
COLLAR,6.3X8.3X9.2 (Ref # 92152)	92152-1725	1
COLLAR,6.3X8.3X6.2 (Ref # 92152A)	92152-2586	2
BOLT,FLANGED-SMALL,6X16 (Ref # 92154)	92154-1183	2
BOLT,6X16 (Ref # 92154A)	92154-3970	6
DAMPER (Ref # 92161)	92161-0031	1
CLAMP (Ref # 92170)	92170-1434	3
CLAMP (Ref # 92171)	92171-0533	1
SCREW (Ref # 92172)	92172-1291	7
CLAMP (Ref # 92173)	92173-2191	1
CLAMP,14MM (Ref # 92173A)	92173-2474	1
TUBE (Ref # 92191)	92191-1704	1
TUBE,BLOW-BY (Ref # 92192)	92192-1929	1
TUBE,ASWV-HEAD (Ref # 92192A)	92192-1930	1
TUBE,A/C-ASWV (Ref # 92192B)	92192-1931	1
BOLT-FLANGED,6X18 (Ref # 130)	130BA0618	1