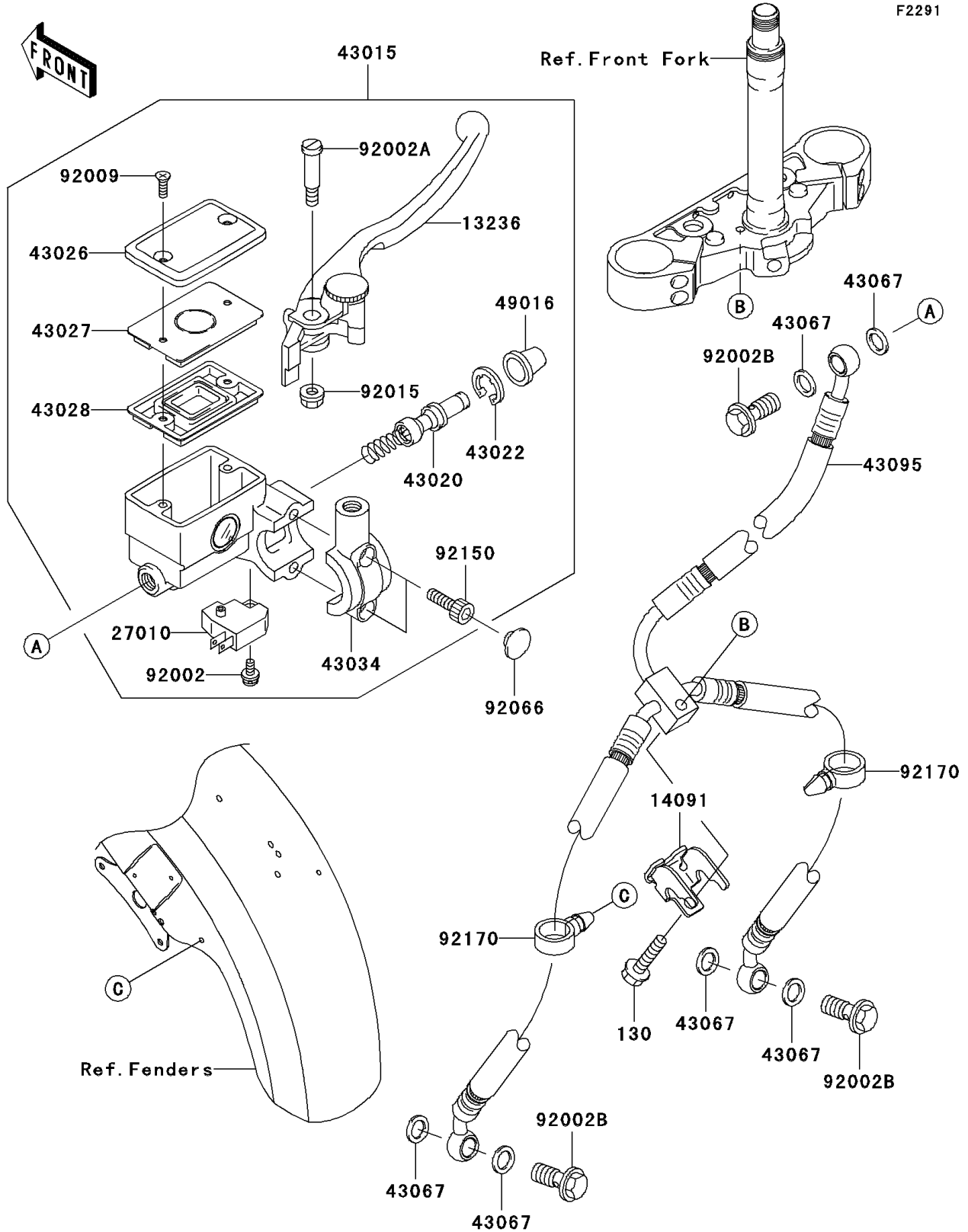


2002 Vulcan 1500 Mean Streak PARTS DIAGRAM

Front Master Cylinder

F2291



2002 Vulcan 1500 Mean Streak PARTS LIST

Front Master Cylinder

| ITEM NAME | PART NUMBER | QUANTITY |
|--|-------------|----------|
| BOLT-FLANGED,6X30,BLACK (Ref # 130) | 130J0630 | 1 |
| LEVER-COMP,FRONT BRAKE (Ref # 13236) | 13236-1315 | 1 |
| COVER,3 WAY JOINT (Ref # 14091) | 14091-1450 | 1 |
| SWITCH,BRAKE (Ref # 27010) | 27010-1170 | 1 |
| CYLINDER-ASSY-MASTER,FR (Ref # 43015) | 43015-1680 | 1 |
| PISTON-COMP-BRAKE,FR (Ref # 43020) | 43020-1054 | 1 |
| STOPPER-BRAKE,PISTON (Ref # 43022) | 43022-1010 | 1 |
| CAP-BRAKE (Ref # 43026) | 43026-1085 | 1 |
| PLATE-DIAPHRAGM (Ref # 43027) | 43027-1059 | 1 |
| DIAPHRAGM,MASTER CYLINDER (Ref # 43028) | 43028-1058 | 1 |
| HOLDER-BRAKE (Ref # 43034) | 43034-1172 | 1 |
| WASHER,10.5X15X1.5 (Ref # 43067) | 43067-001 | 6 |
| HOSE-BRAKE,FR (Ref # 43095) | 43095-1216 | 1 |
| COVER-SEAL,MASTER CYLINDER (Ref # 49016) | 49016-1044 | 1 |
| BOLT,SCREW,4X12 (Ref # 92002) | 92002-1323 | 1 |
| BOLT,LEVER SET (Ref # 92002A) | 92002-1561 | 1 |
| BOLT,OIL,L=23 (Ref # 92002B) | 92002-1888 | 3 |
| SCREW (Ref # 92009) | 92009-1795 | 2 |
| NUT,FLANGED,6MM (Ref # 92015) | 92015-1528 | 1 |
| PLUG (Ref # 92066) | 92066-1301 | 2 |
| BOLT,SOCKET,6MM (Ref # 92150) | 92150-1025 | 2 |
| CLAMP (Ref # 92170) | 92170-1067 | 2 |