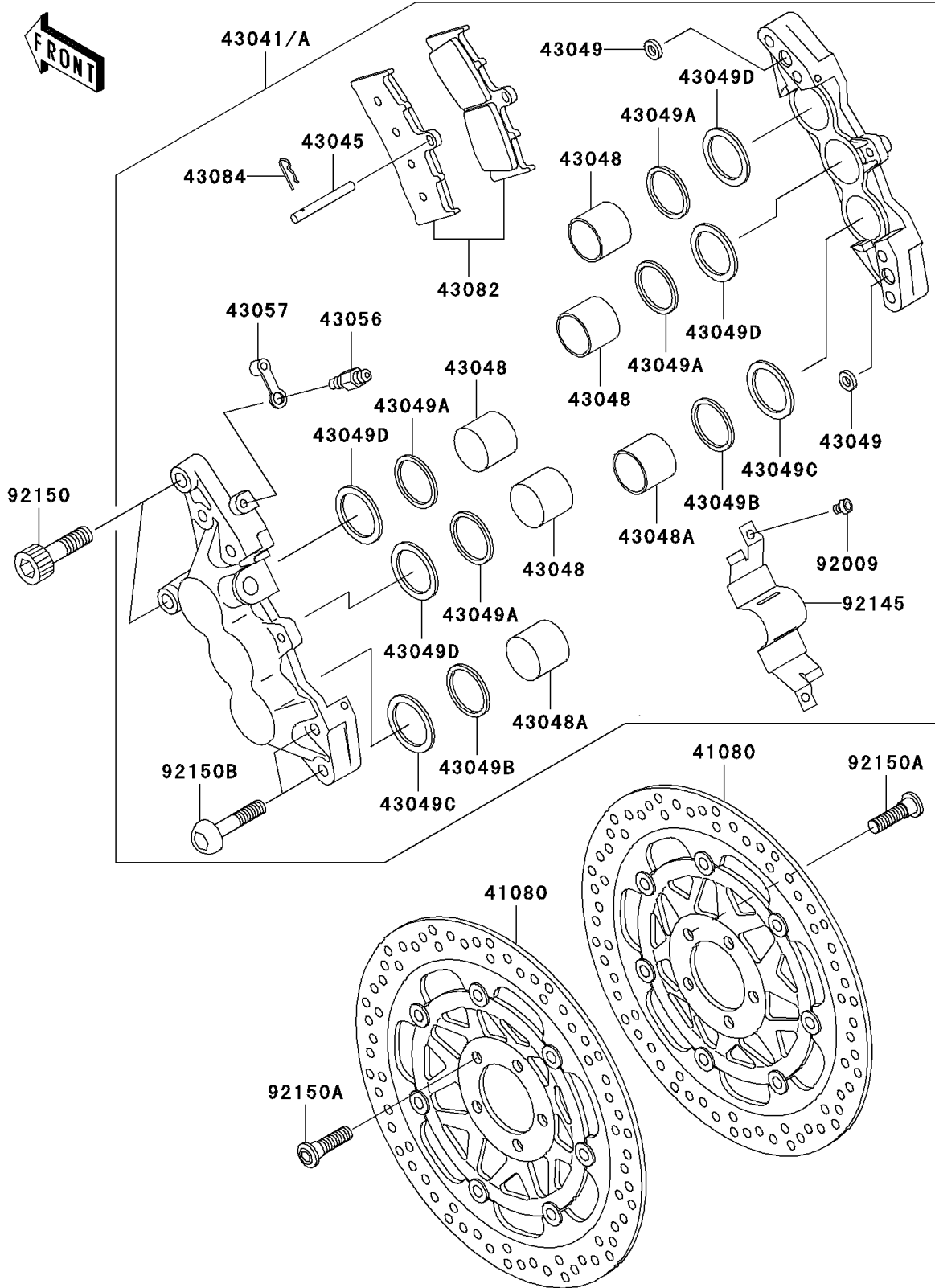


# 2003 Vulcan 1500 Mean Streak PARTS DIAGRAM

Front Brake

F2292



## 2003 Vulcan 1500 Mean Streak PARTS LIST

### Front Brake

ITEM NAME	PART NUMBER	QUANTITY
DISC,FR,SILVER+DISC-SILVER (Ref # 41080)	41080-1511-5D	2
CALIPER-ASSY,FR,LH,SILVER (Ref # 43041)	43041-1863-GN	1
CALIPER-ASSY,FR,RH,SILVER (Ref # 43041A)	43041-1864-GN	1
SHAFT-CALIPER (Ref # 43045)	43045-007	2
PISTON-CALIPER (Ref # 43048)	43048-1078	8
PISTON-CALIPER (Ref # 43048A)	43048-1079	4
PACKING,SEAL,6.5X11.5X2.2 (Ref # 43049)	43049-1004	4
PACKING,PISTON (Ref # 43049A)	43049-1055	8
PACKING,PISTON (Ref # 43049B)	43049-1059	4
PACKING,PISTON SEAL (Ref # 43049C)	43049-1090	4
PACKING,PISTON SEAL (Ref # 43049D)	43049-1096	8
BREATHER-BRAKE (Ref # 43056)	43056-1054	2
CAP-BREATHER (Ref # 43057)	43057-003	2
PAD-ASSY-BRAKE (Ref # 43082)	43082-1274	2
CLAMP,PAD (Ref # 43084)	43084-003	2
BOLT,SOCKET,4X6 (Ref # 92009)	92009-1758	4
SPRING (Ref # 92145)	92145-1482	2
BOLT,SOCKET,10X37 (Ref # 92150)	92150-1261	4
BOLT,SOCKET,8X30 (Ref # 92150A)	92150-1771	10
BOLT,SOCKET,8X40 (Ref # 92150B)	92150-1973	8