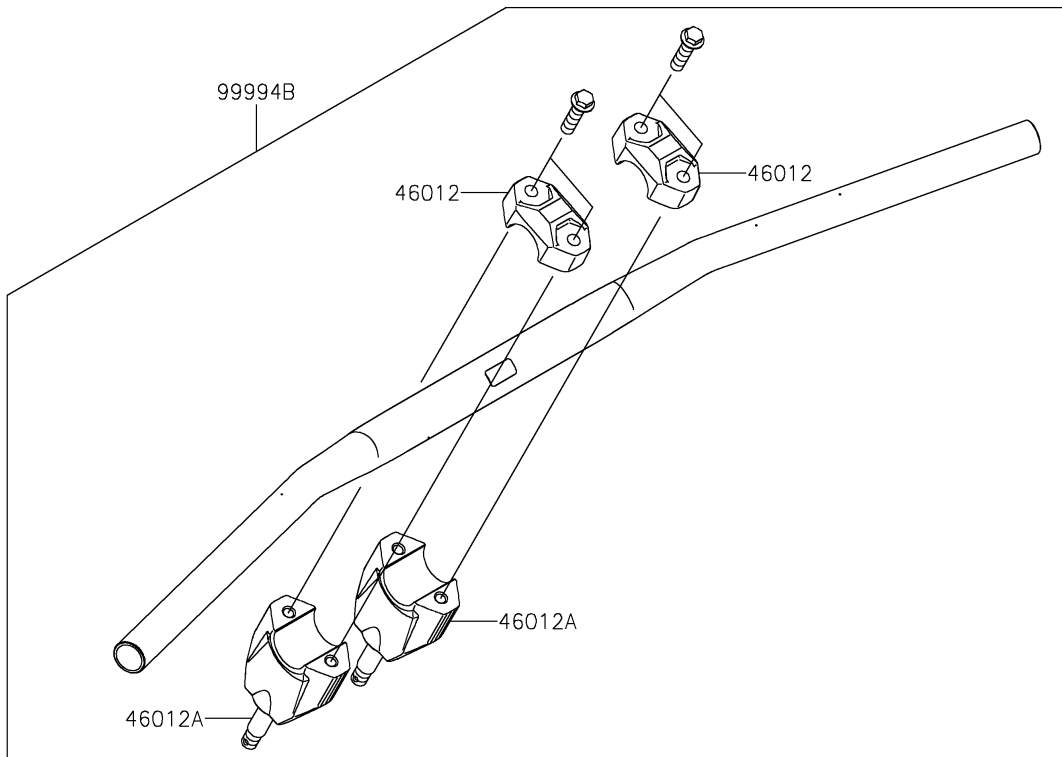
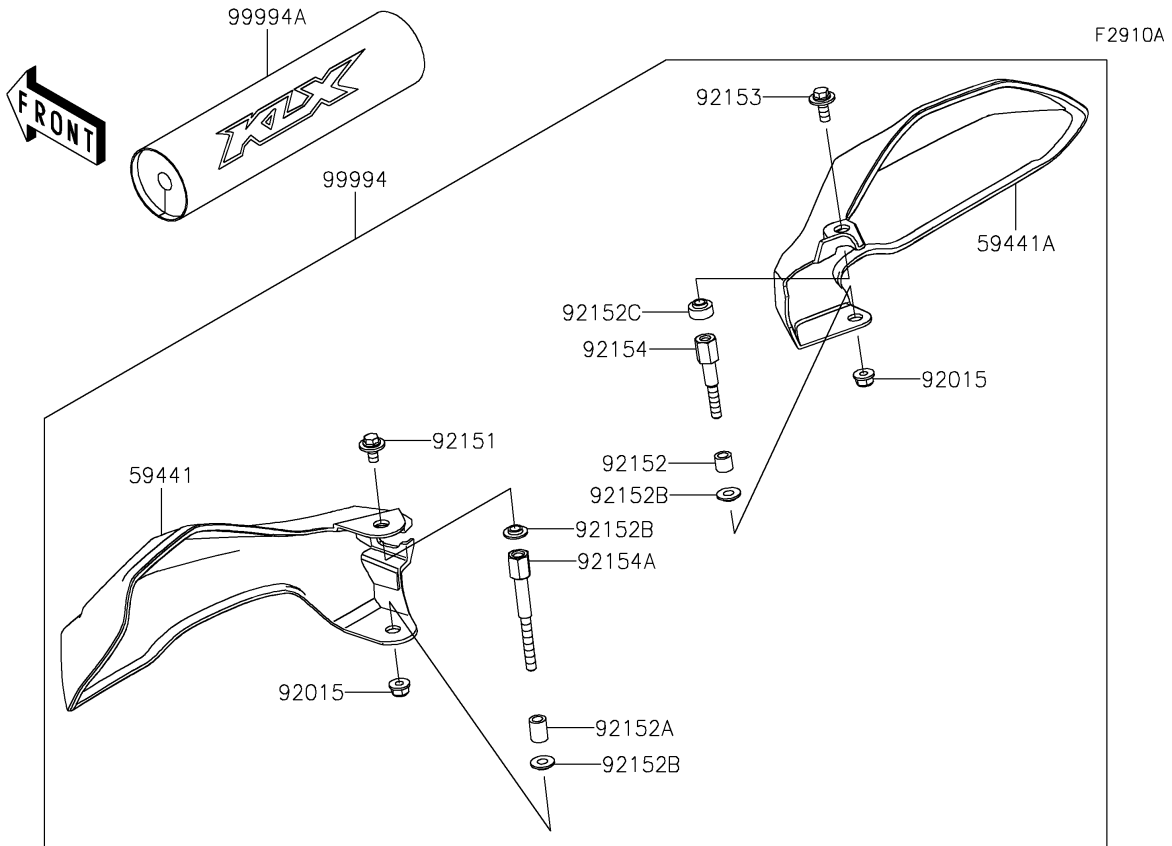


2022 KLX® 230 S PARTS DIAGRAM

Accessory(Handle)



2022 KLX® 230 S PARTS LIST

Accessory(Handle)

| ITEM NAME | PART NUMBER | QUANTITY |
|---|----------------|----------|
| HOLDER-HANDLE,UPP,P.SILVER (Ref # 46012) | 46012-0359-458 | 2 |
| HOLDER-HANDLE,LWR,P.SILVER (Ref # 46012A) | 46012-0360-458 | 2 |
| COVER-HANDLE,LH,EBONY (Ref # 59441) | 59441-0045-68L | 1 |
| COVER-HANDLE,RH,EBONY (Ref # 59441A) | 59441-0046-68L | 1 |
| NUT,LOCK,FLANGED,6MM (Ref # 92015) | 92015-1603 | 2 |
| BOLT,6X12 (Ref # 92151) | 92151-1985 | 1 |
| COLLAR,6.5X10.5X9.3 (Ref # 92152) | 92152-1992 | 1 |
| COLLAR,6.5X10.5X14 (Ref # 92152A) | 92152-2302 | 1 |
| COLLAR,6.5X15X3.4 (Ref # 92152B) | 92152-2314 | 3 |
| COLLAR (Ref # 92152C) | 92152-2592 | 1 |
| BOLT,FLANGED,6X16 (Ref # 92153) | 92153-1059 | 1 |
| BOLT (Ref # 92154) | 92154-1670 | 1 |
| BOLT (Ref # 92154A) | 92154-2359 | 1 |
| HAND GUARD,EBONY (Ref # 99994) | 99994-1248-68L | 1 |
| HANDLE-BAR PAD (Ref # 99994A) | 99994-1274 | 1 |
| FAT TYPE HANDLE BAR,P.SILVER (Ref # 99994B) | 99994-1508-458 | 1 |