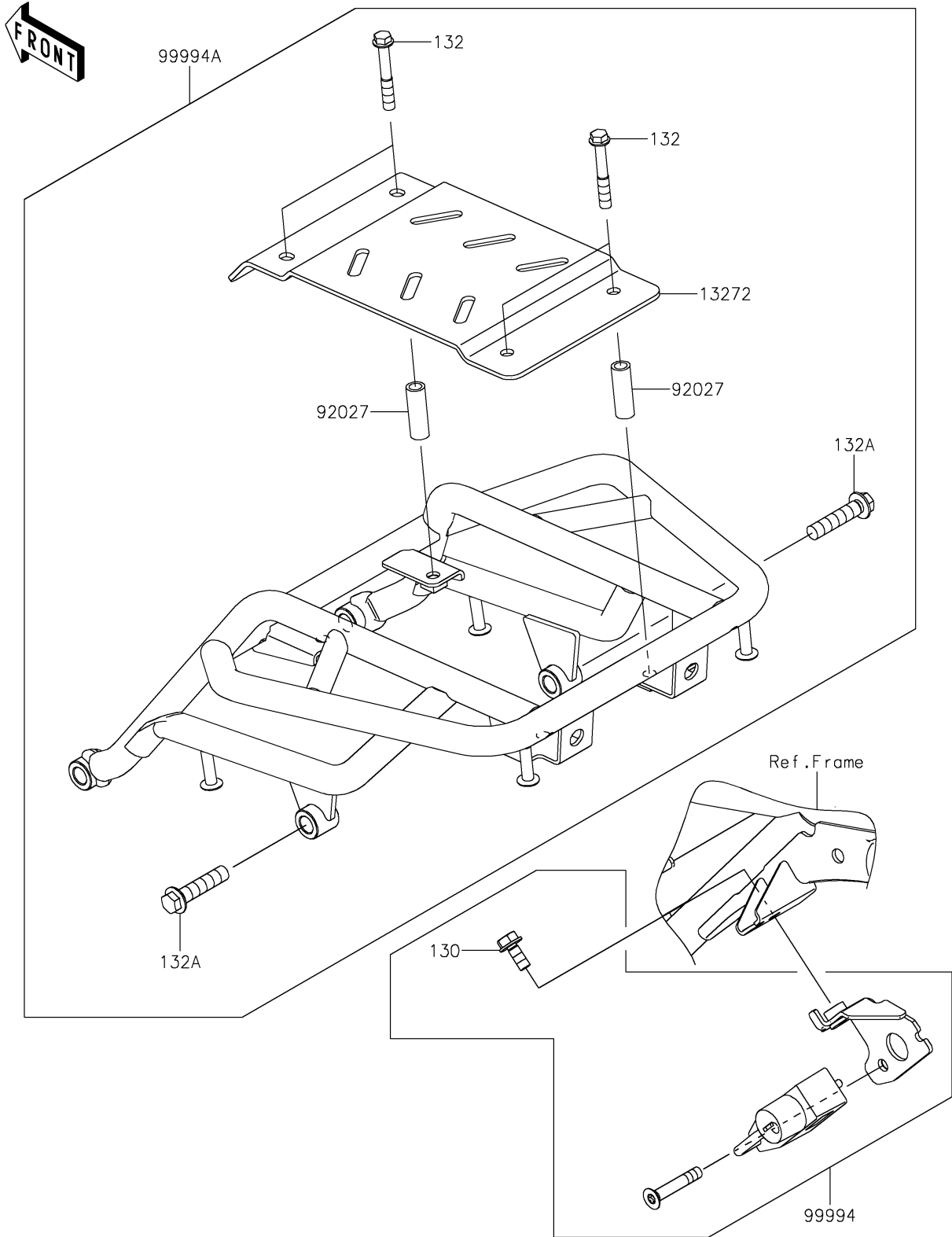


# 2022 KLX® 230 S PARTS DIAGRAM

Accessory(Helmet Lock and Carrier)

F2910C



## 2022 KLX® 230 S PARTS LIST

Accessory(Helmet Lock and Carrier)

ITEM NAME	PART NUMBER	QUANTITY
PLATE (Ref # 13272)	13272-2731	1
COLLAR,6.8X10X30 (Ref # 92027)	92027-209	4
HELMET LOCK (Ref # 99994)	99994-1279	1
CARRIER (Ref # 99994A)	99994-1280	1
BOLT-FLANGED,6X14 (Ref # 130)	130BA0614	1
BOLT-FLANGED-SMALL,6X40 (Ref # 132)	132BA0640	4
BOLT-FLANGED-SMALL,8X35 (Ref # 132A)	132BA0835	4