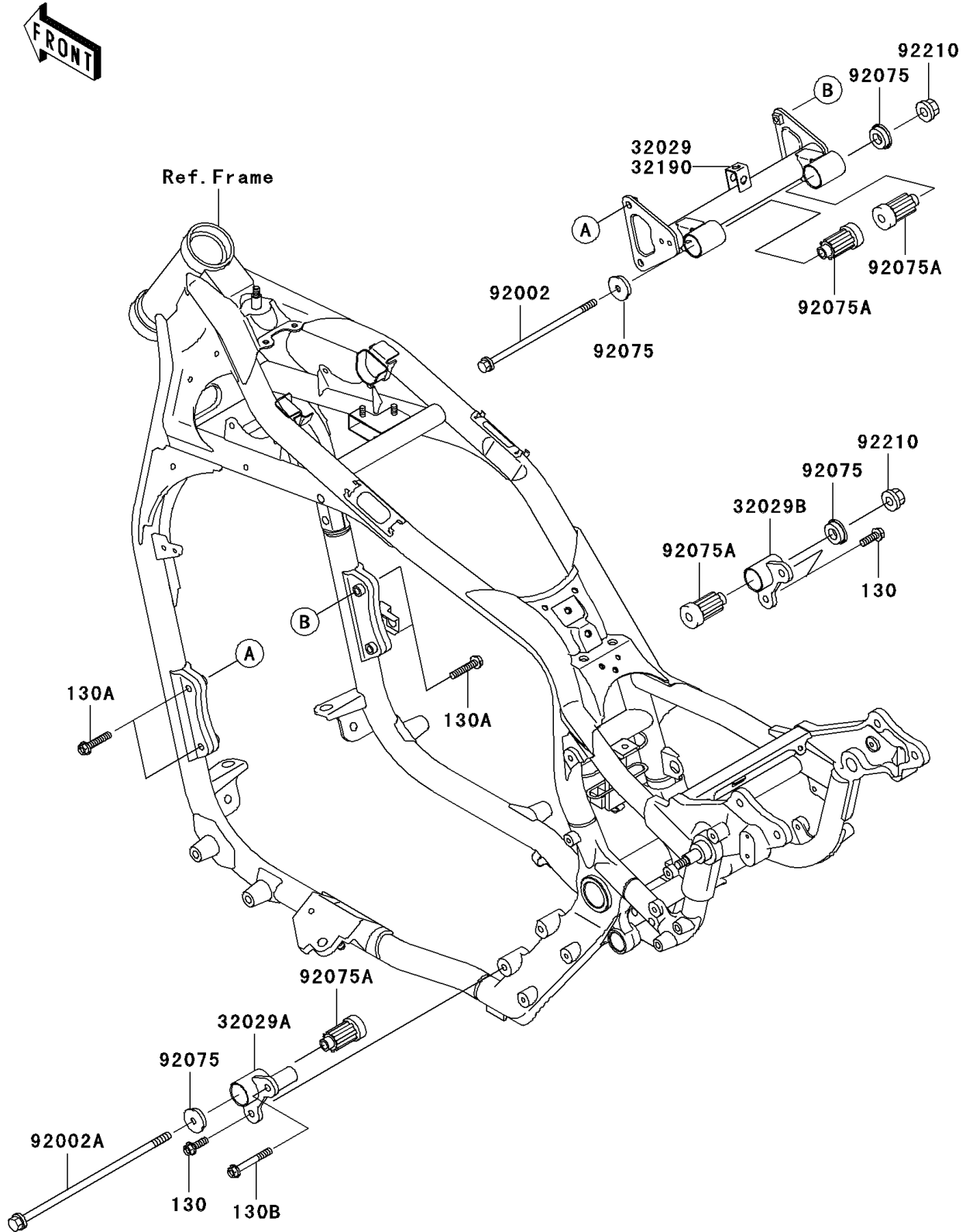


# 2004 Vulcan 1500 Drifter PARTS DIAGRAM

Engine Mount

F2122



## 2004 Vulcan 1500 Drifter PARTS LIST

### Engine Mount

ITEM NAME	PART NUMBER	QUANTITY
BOLT-FLANGED,8X25,BLACK (Ref # 130)	130J0825	3
BOLT-FLANGED,8X40 (Ref # 130A)	130J0840	4
BOLT-FLANGED (Ref # 130B)	130J0860	1
BRACKET-ENGINE,RR,LH (Ref # 32029A)	32029-1986	1
BRACKET-ENGINE,RR,RH (Ref # 32029B)	32029-1987	1
BRACKET-ENGINE,FR (Ref # 32190)	32190-0022	1
BOLT,FLANGED,10X285 (Ref # 92002)	92002-1206	1
BOLT,FLANGED,10X330 (Ref # 92002A)	92002-1540	1
DAMPER,ENGINE MOUNT (Ref # 92075)	92075-1738	4
DAMPER,ENGINE MOUNT,MAIN (Ref # 92075A)	92075-1739	4
NUT,LOCK,FLANGED,10MM (Ref # 92210)	92210-1081	2