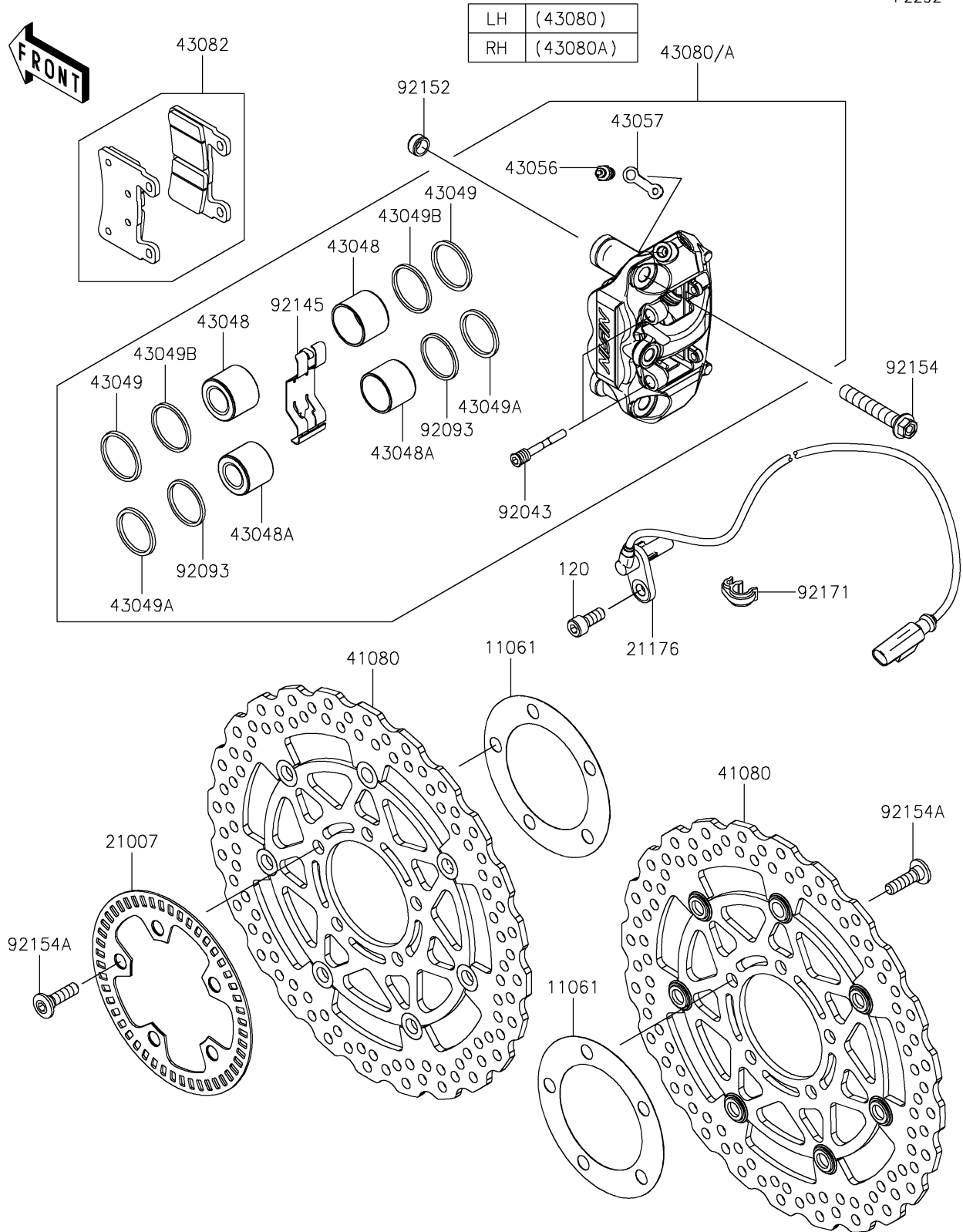


2023 NINJA® ZX™-6R KRT EDITION PARTS DIAGRAM

Front Brake

F2292



2023 NINJA® ZX™ -6R KRT EDITION PARTS LIST

Front Brake

ITEM NAME	PART NUMBER	QUANTITY
GASKET,DISC PLATE (Ref # 11061)	11061-0029	2
ROTOR,FR WHEEL (Ref # 21007)	21007-0669	1
SENSOR,SPEED,FR (Ref # 21176)	21176-0737	1
DISC,FR,HOUSING BLK+DISC SIL (Ref # 41080)	41080-0590-5C	2
PISTON-CALIPER (Ref # 43048)	43048-0019	4
PISTON-CALIPER (Ref # 43048A)	43048-0020	4
PACKING (Ref # 43049)	43049-0028	4
PACKING (Ref # 43049A)	43049-0029	4
PACKING (Ref # 43049B)	43049-1081	4
BREATHER (Ref # 43056)	43056-1055	2
CAP-BREATHER (Ref # 43057)	43057-1001	2
CALIPER-SUB-ASSY,FR,LH,BLACK (Ref # 43080)	43080-0111-DJ	1
CALIPER-SUB-ASSY,FR,RH,BLACK (Ref # 43080A)	43080-0113-DJ	1
PAD-ASSY-BRAKE (Ref # 43082)	43082-0131	2
PIN,PAD (Ref # 92043)	92043-0105	4
SEAL,PISTON (Ref # 92093)	92093-1272	4
SPRING (Ref # 92145)	92145-1864	2
COLLAR,DOWEL PIN (Ref # 92152)	92152-0679	4
BOLT,SOCKET,10X63 (Ref # 92154)	92154-1067	4
BOLT,SOCKET,8X30 (Ref # 92154A)	92154-1865	10
CLAMP,BRAKE HOSE (Ref # 92171)	92171-1819	3
BOLT-SOCKET,8X20 (Ref # 120)	120CB0820	1