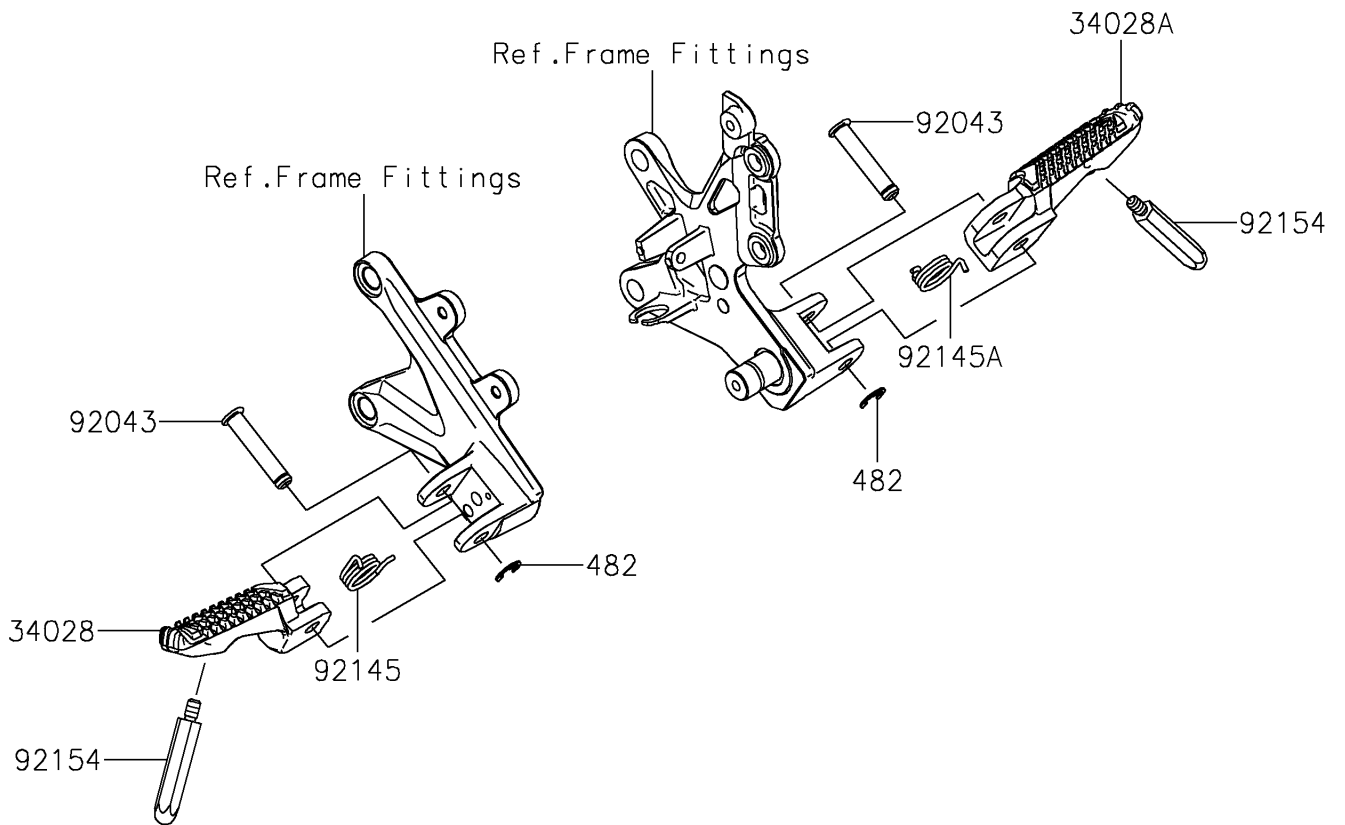


2023 NINJA® ZX™ -10RR PARTS DIAGRAM

Footrests

F2160



2023 NINJA® ZX™-10RR PARTS LIST

Footrests

ITEM NAME	PART NUMBER	QUANTITY
STEP,FR,LH (Ref # 34028)	34028-0384	1
STEP,FR,RH (Ref # 34028A)	34028-0385	1
PIN,8X40.5 (Ref # 92043)	92043-0877	2
SPRING (Ref # 92145)	92145-1950	1
SPRING (Ref # 92145A)	92145-2218	1
BOLT,BANK SENSOR (Ref # 92154)	92154-4254	2
CIRCLIP-TYPE-E (Ref # 482)	482EA7000	2