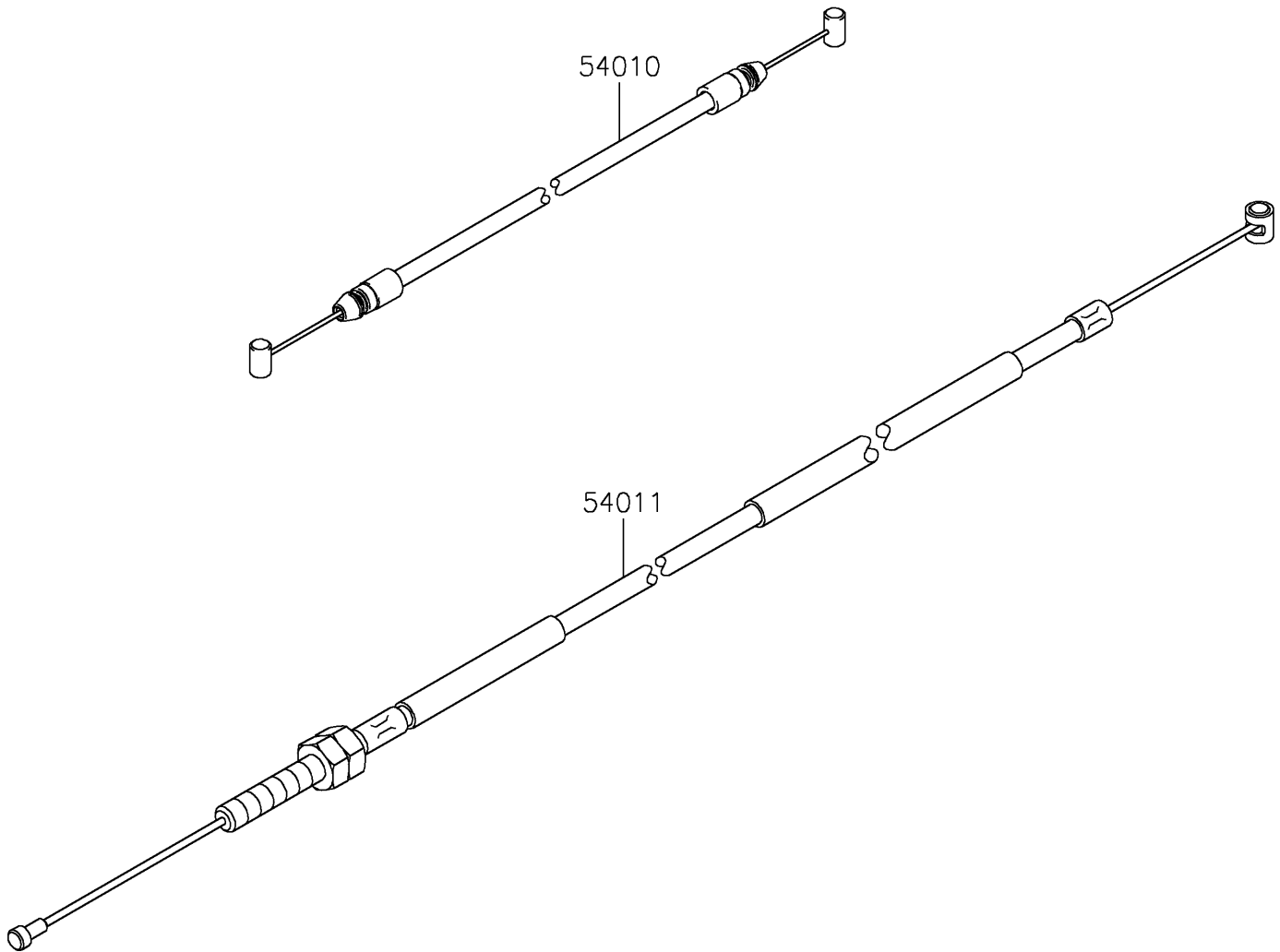


2023 NINJA® ZX™ -10RR PARTS DIAGRAM

Cables

F2540



2023 NINJA® ZX™ -10RR PARTS LIST

Cables

ITEM NAME	PART NUMBER	QUANTITY
CABLE,SEAT LOCK (Ref # 54010)	54010-0029	1
CABLE-CLUTCH (Ref # 54011)	54011-0658	1