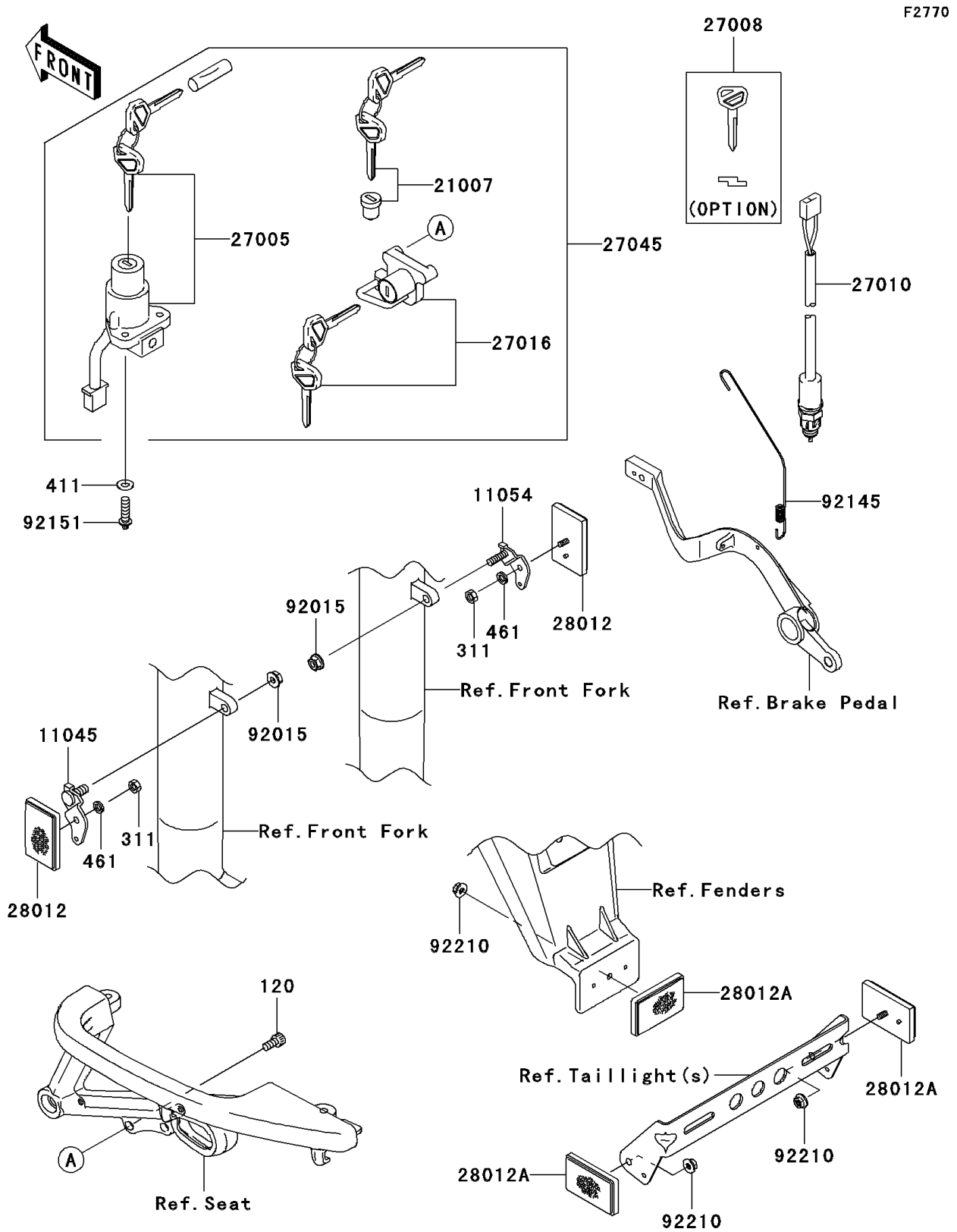


# 2008 KLR™ 650 PARTS DIAGRAM

## Ignition Switch



## 2008 KLR™ 650 PARTS LIST

### Ignition Switch

ITEM NAME	PART NUMBER	QUANTITY
BOLT-SOCKET,6X12 (Ref # 120)	120CB0612	2
NUT-HEX (Ref # 311)	311AB0500	2
WASHER-PLAIN,6.5X13X1 (Ref # 411)	411AA0600	2
WASHER-SPRING,5MM,BLACK (Ref # 461)	461DB0500	2
BRACKET,REFLECTOR,FR (Ref # 11045)	11045-1354	1
BRACKET,REFLECTOR,FR (Ref # 11054)	11054-1889	1
ROTOR,LOCK,TANK CAP (Ref # 21007)	21007-5052	1
SWITCH-ASSY-IGNITION (Ref # 27005)	27005-0030	1
KEY-LOCK,BLANK (Ref # 27008)	27008-1220	1
SWITCH,REAR BRAKE (Ref # 27010)	27010-1489	1
LOCK-ASSY,HELMET (Ref # 27016)	27016-5349	1
SWITCH-ASSY (Ref # 27045)	27045-5340	1
REFLECTOR-REFLEX (Ref # 28012)	28012-1003	2
REFLECTOR-REFLEX (Ref # 28012A)	28012-1088	3
NUT,FLANGED,6MM,BLACK (Ref # 92015)	92015-1233	2
SPRING,REAR BRAKE SWITCH (Ref # 92145)	92145-0422	1
BOLT,TORX,6X22 (Ref # 92151)	92151-1946	2
NUT,FLANGED,5MM (Ref # 92210)	92210-0007	3