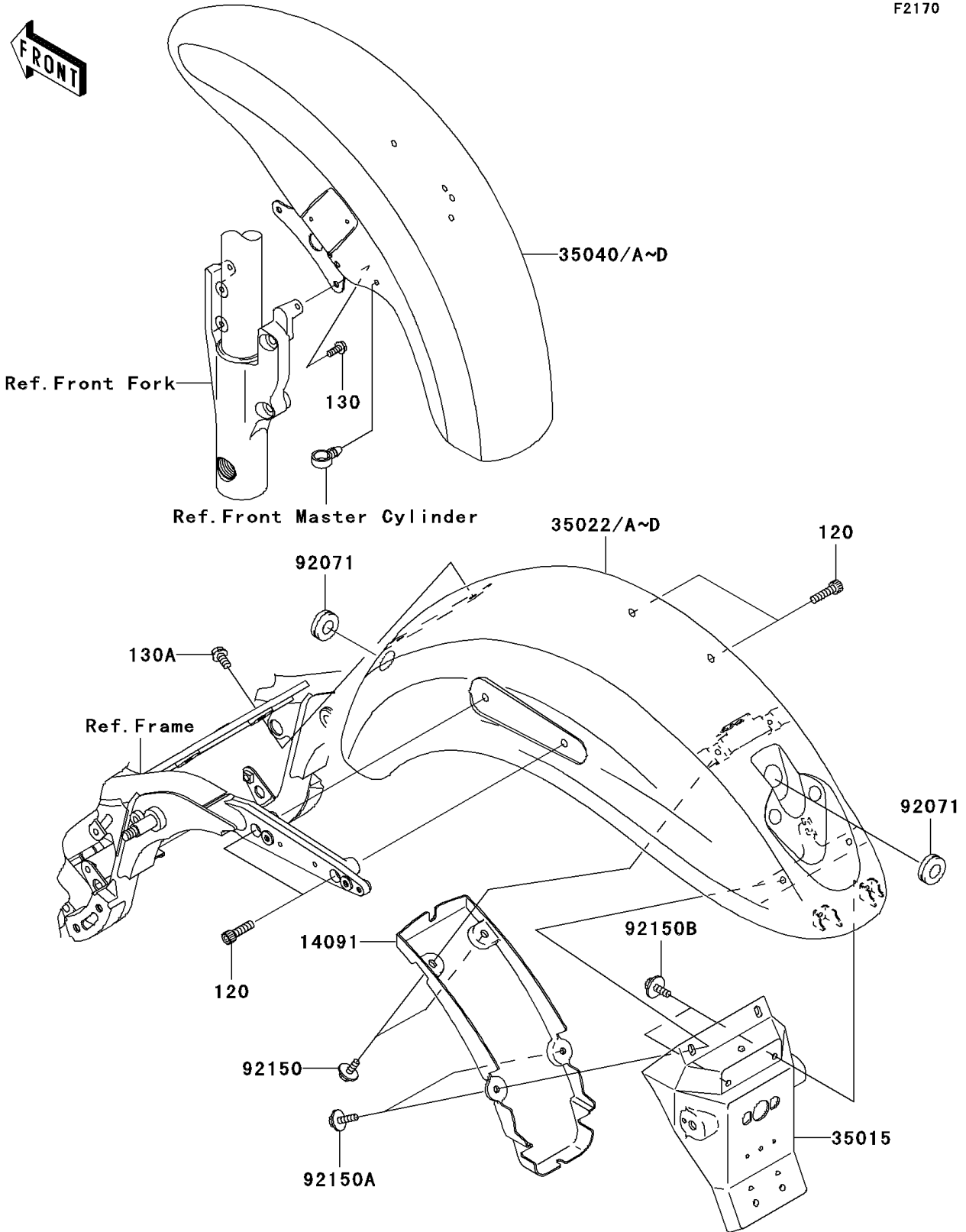


# 2004 Vulcan 1600 Mean Streak PARTS DIAGRAM

Fenders

F2170



## 2004 Vulcan 1600 Mean Streak PARTS LIST

### Fenders

ITEM NAME	PART NUMBER	QUANTITY
BOLT-SOCKET,8X30,BLACK (Ref # 120)	120S0830	4
BOLT-FLANGED,6X16,BLACK (Ref # 130)	130J0616	4
BOLT-FLANGED,8X16,BLACK (Ref # 130A)	130J0816	2
COVER,TAIL LAMP (Ref # 14091)	14091-1348	1
FLAP-COMP (Ref # 35015)	35015-0002	1
FENDER-COMP-REAR,C.T.BLUE (Ref # 35022A)	35022-0013-235	1
FENDER-COMP-REAR,M.S.BLACK (Ref # 35022B)	35022-0013-660	1
FENDER-COMP-REAR,C.L.GREEN (Ref # 35022D)	35022-0013-8N	1
FENDER-COMP-FRONT,C.T.BLUE (Ref # 35040A)	35040-1053-235	1
FENDER-COMP-FRONT,M.S.BLACK (Ref # 35040B)	35040-1053-660	1
FENDER-COMP-FRONT,C.L.GREEN (Ref # 35040D)	35040-1053-8N	1
GROMMET (Ref # 92071)	92071-1265	2
BOLT,FLANGED,6X14 (Ref # 92150)	92150-1689	2
BOLT,6X20 (Ref # 92150A)	92150-1801	2
BOLT,FLANGED,6X16 (Ref # 92150B)	92150-1894	2